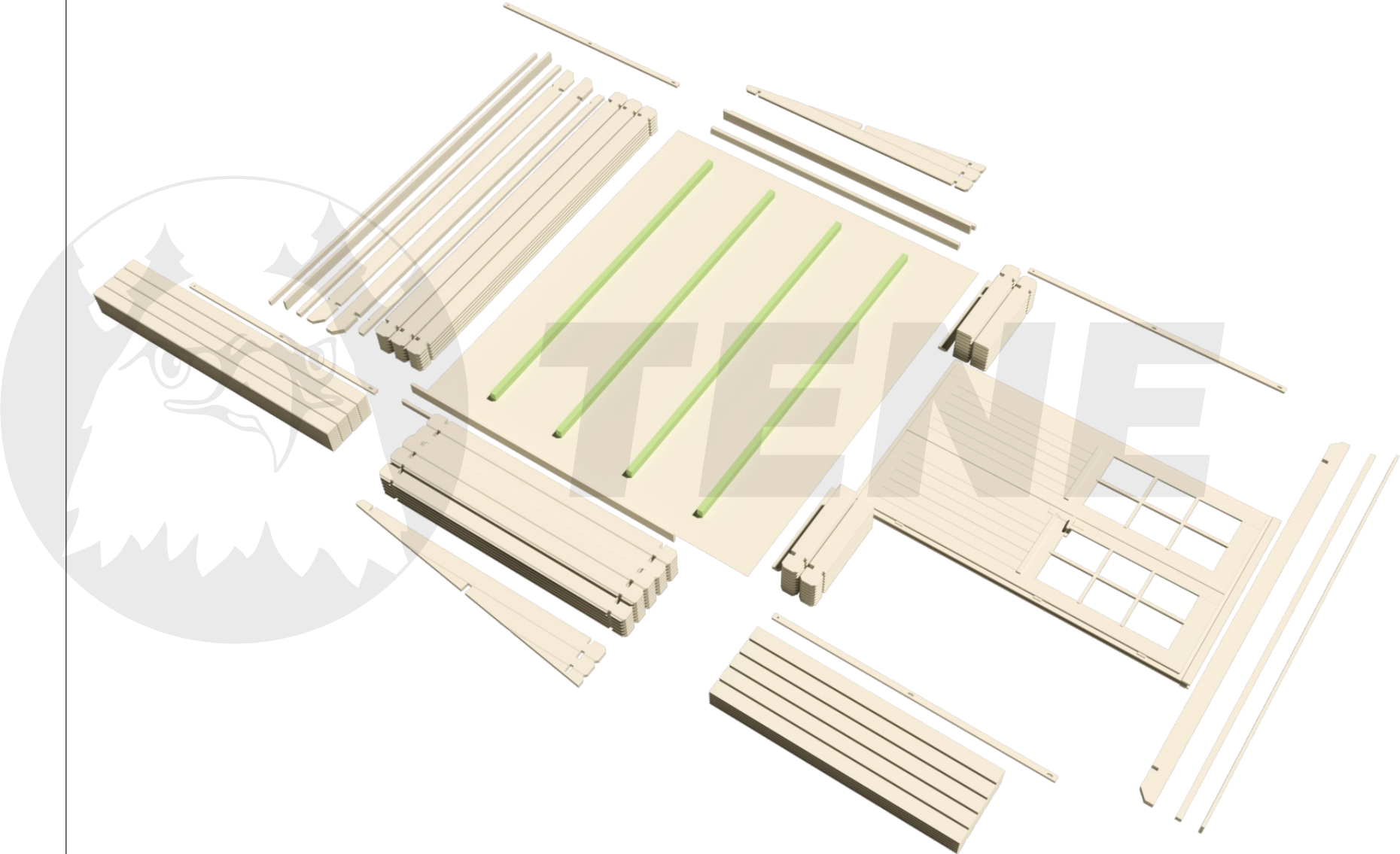
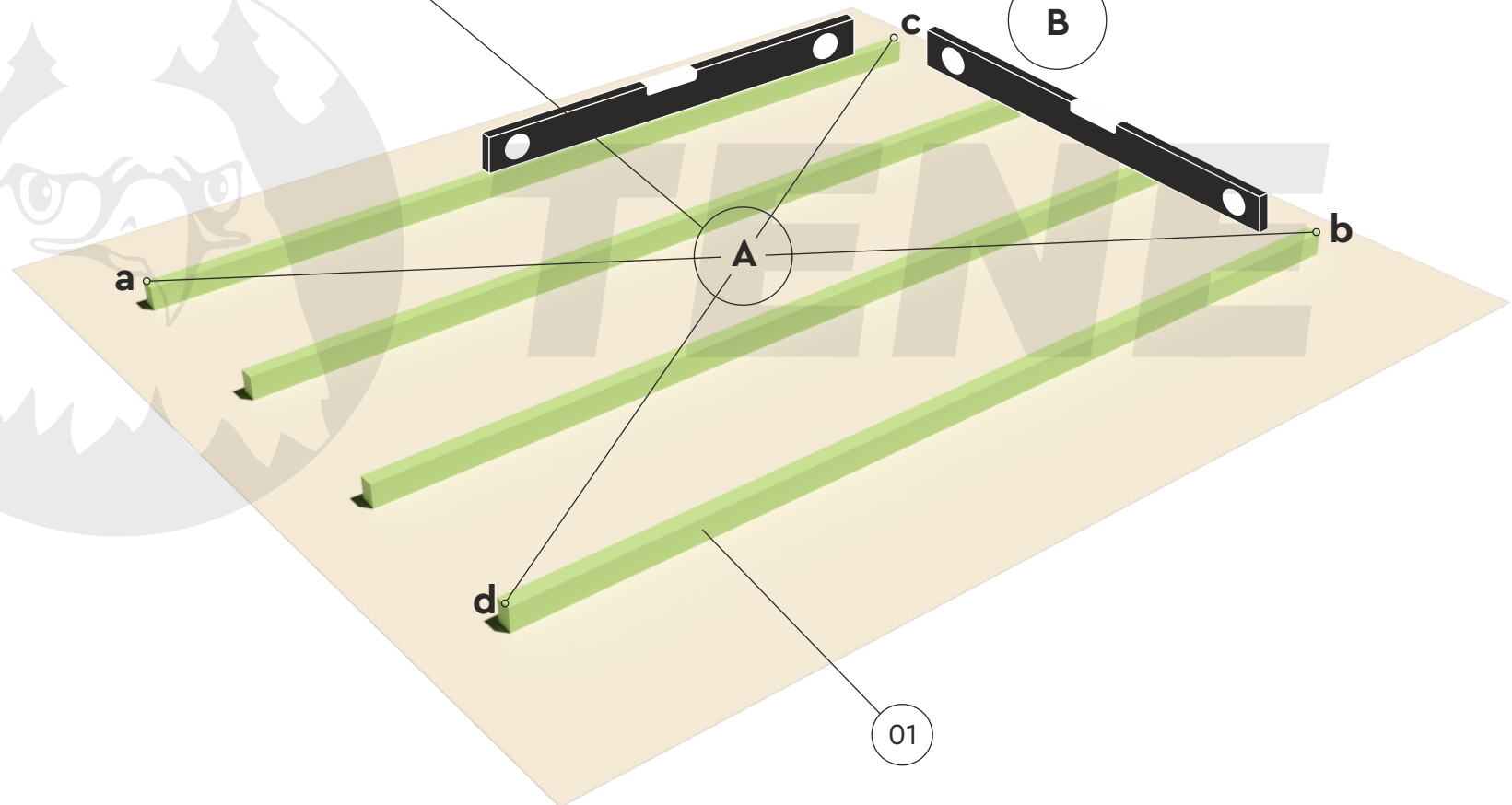
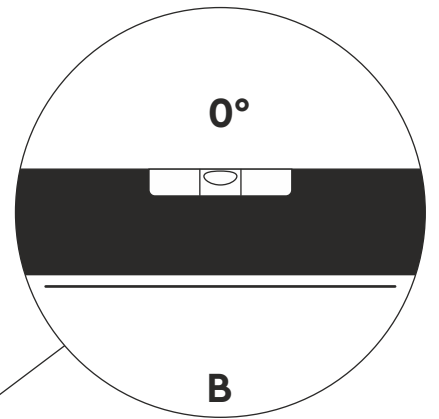
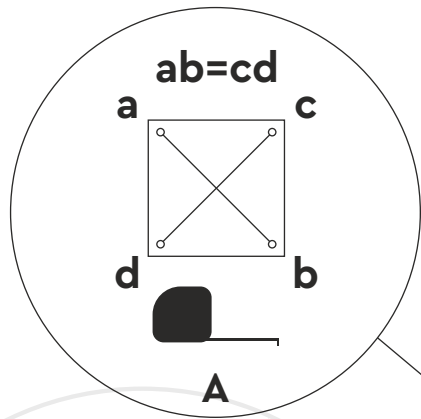
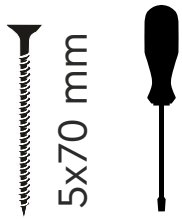
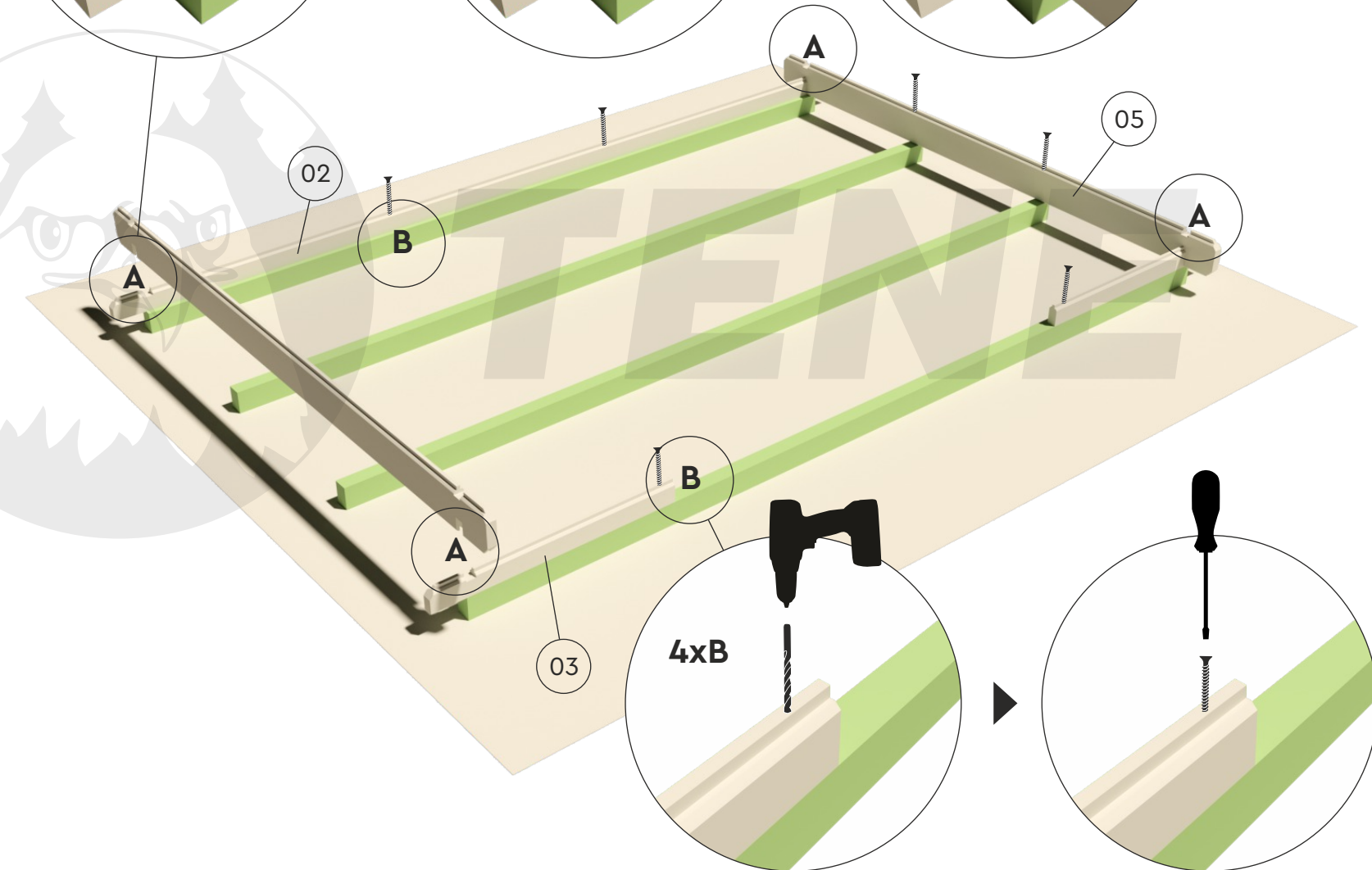
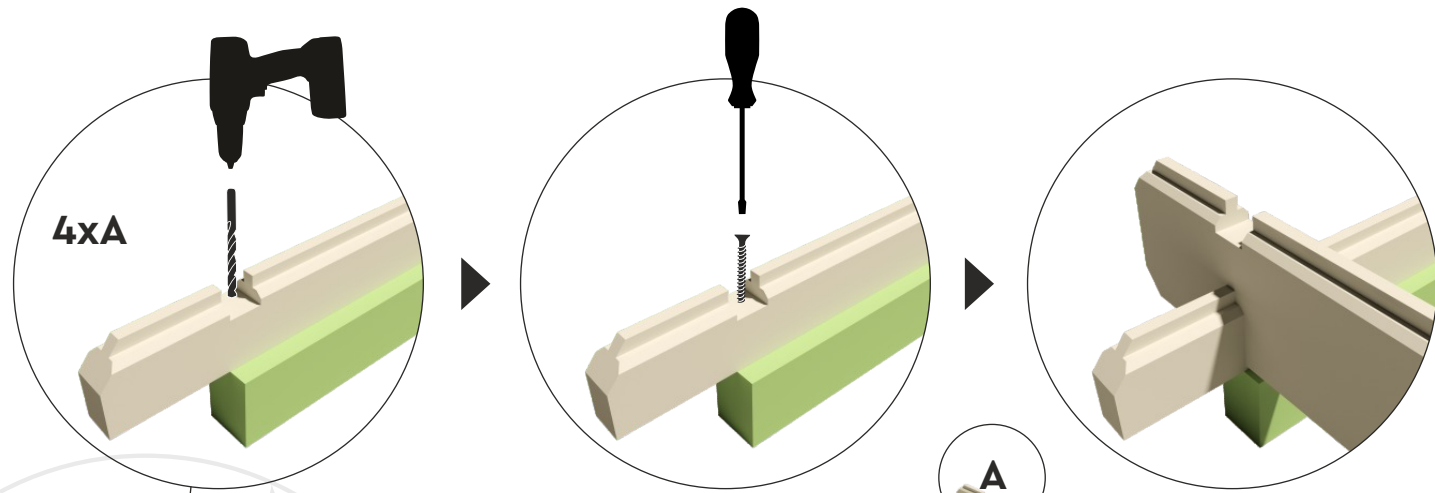


GLORIA A

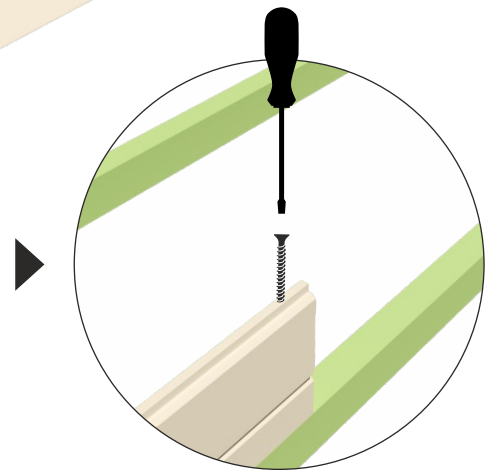
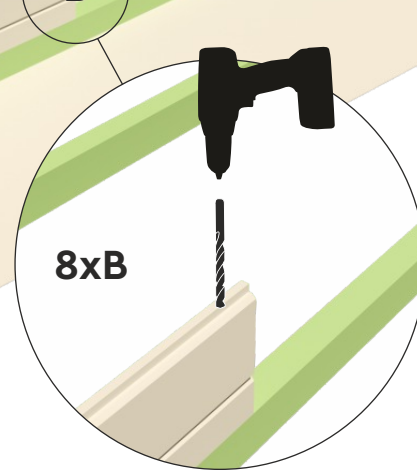
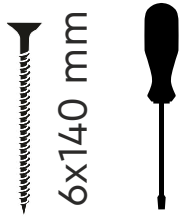
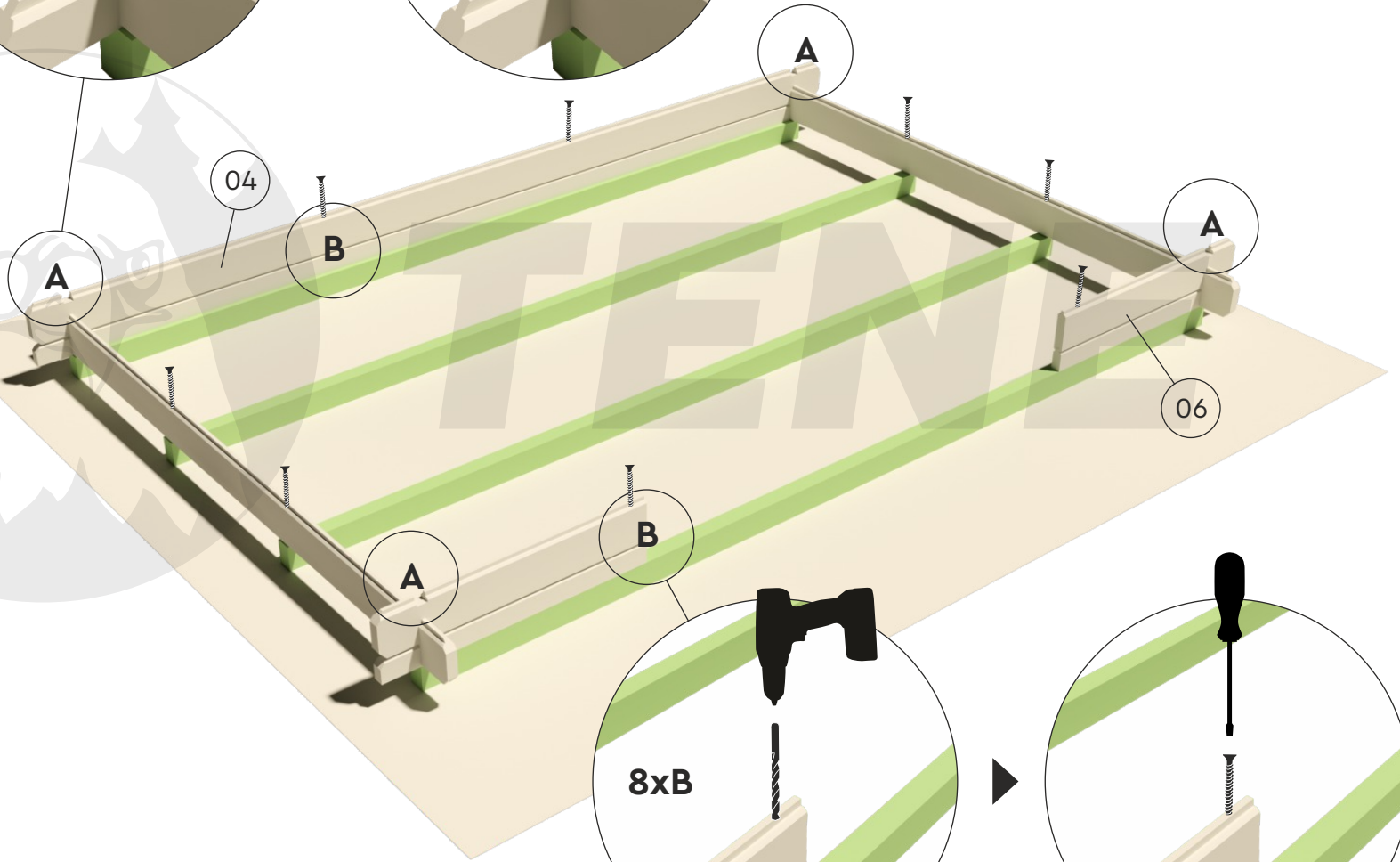
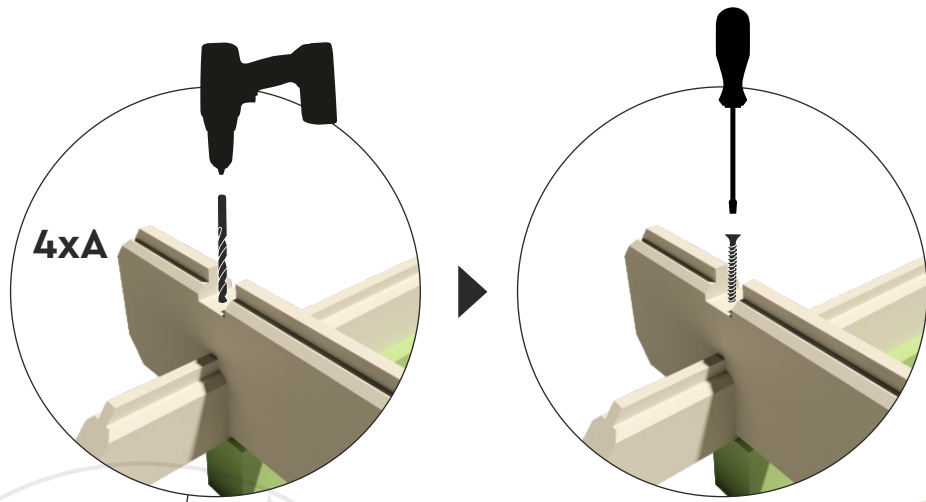




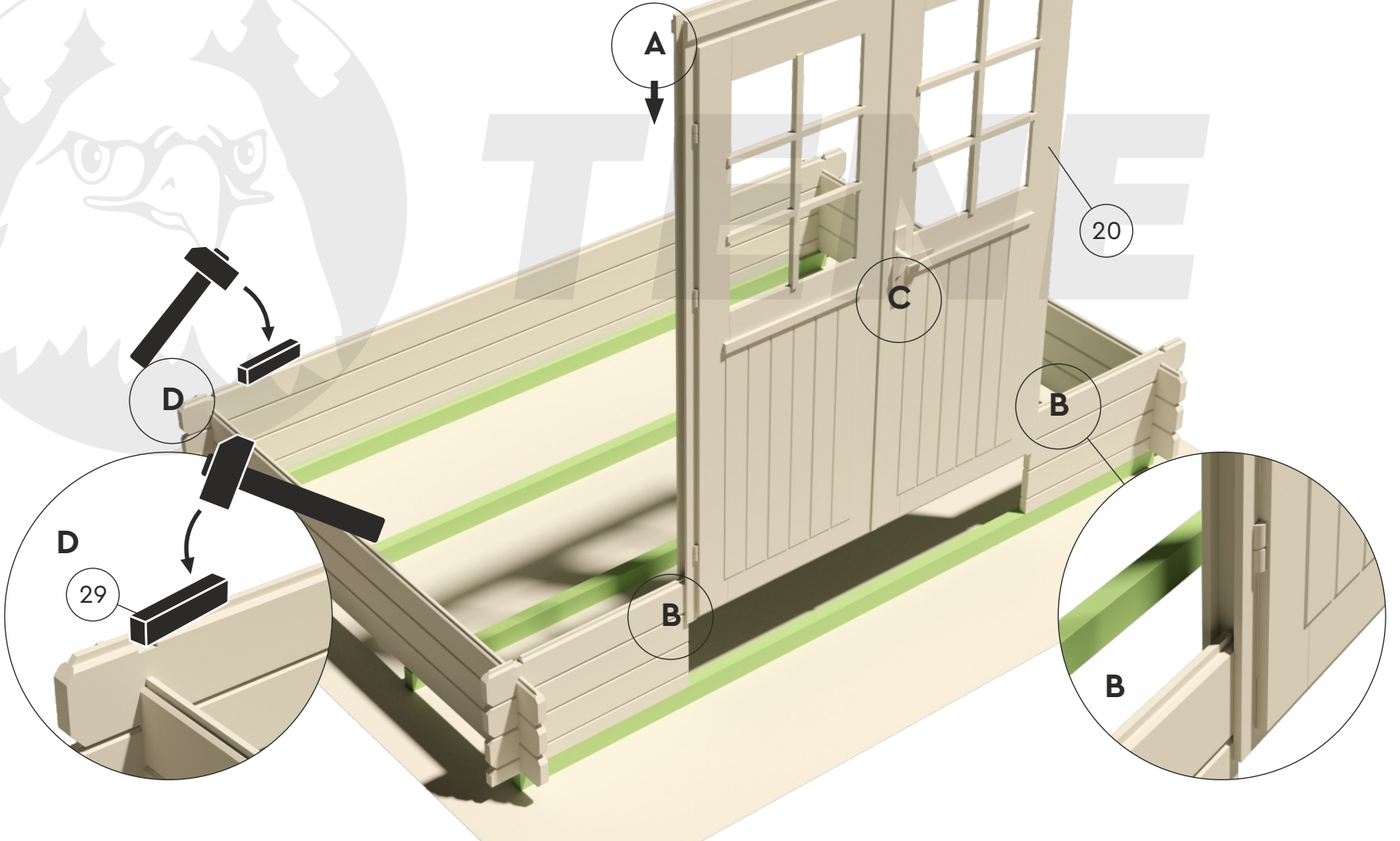
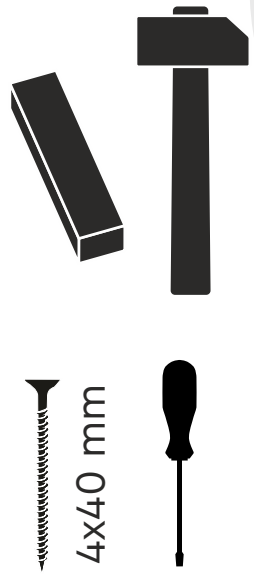
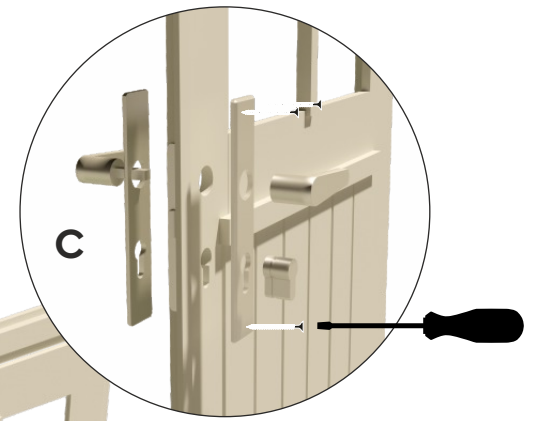
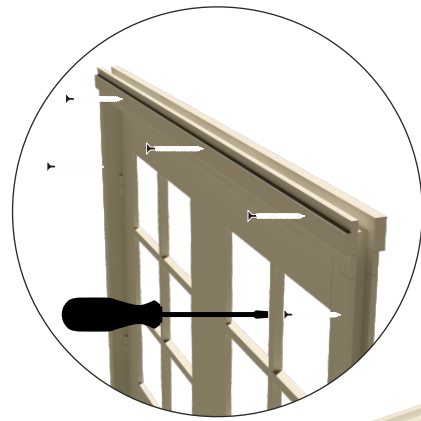
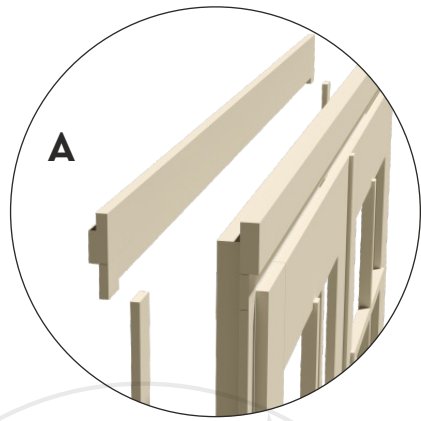
GLORIA A



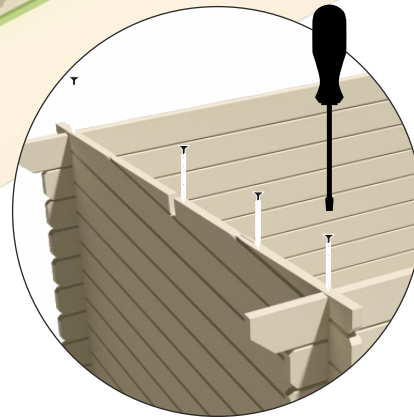
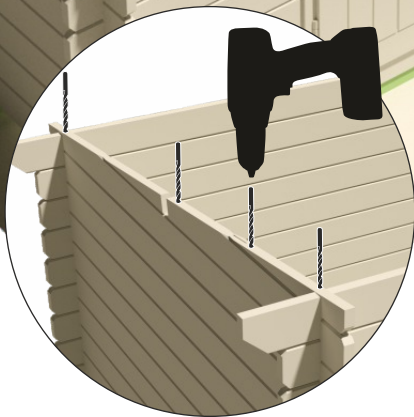
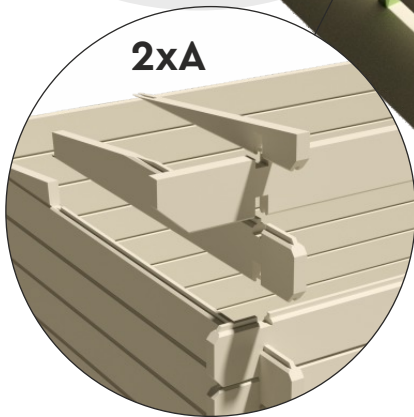
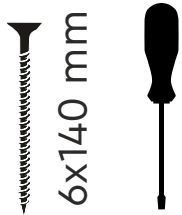
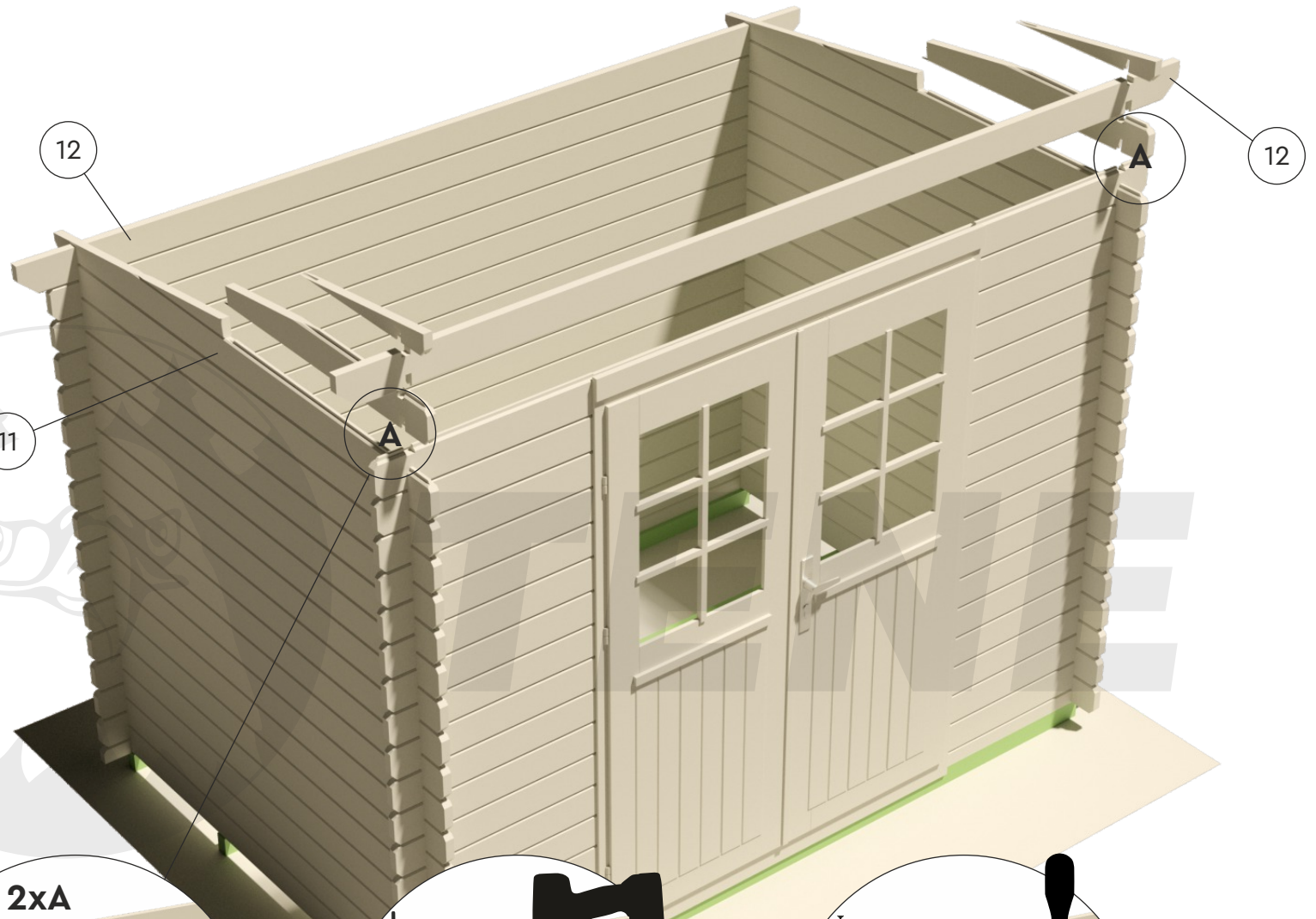
GLORIA A



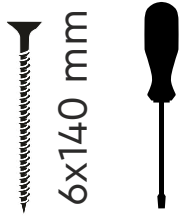
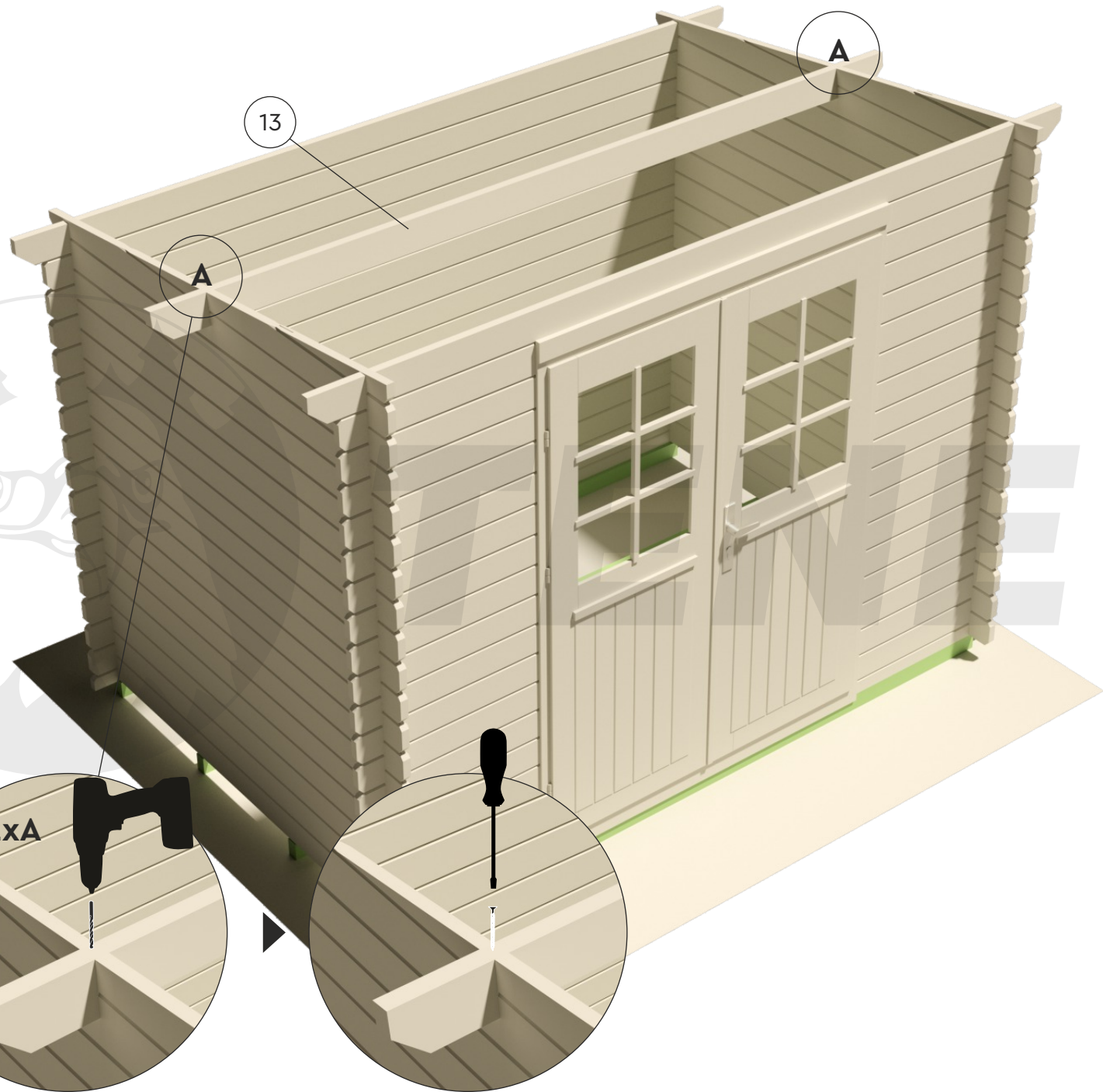
GLORIA A



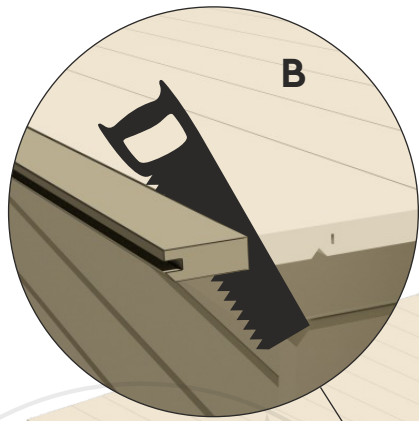
GLORIA A



GLORIA A



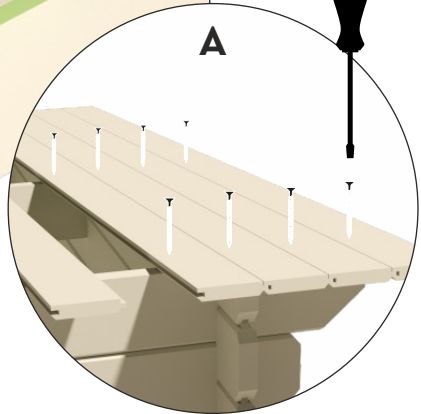
GLORIA A



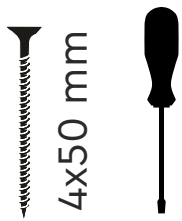
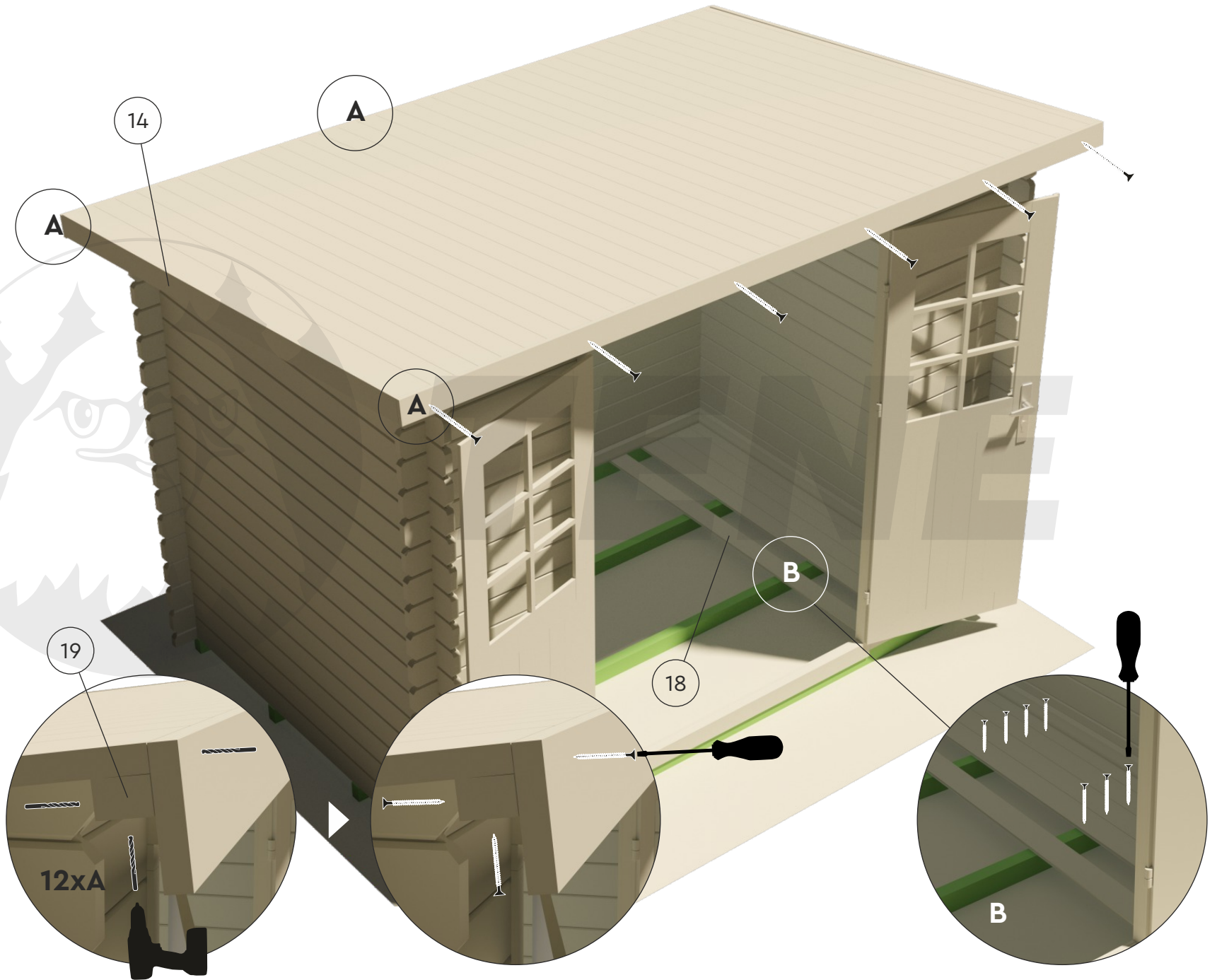
17

A

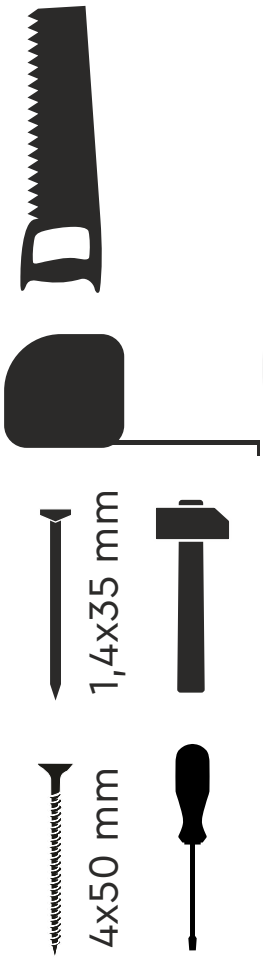
B



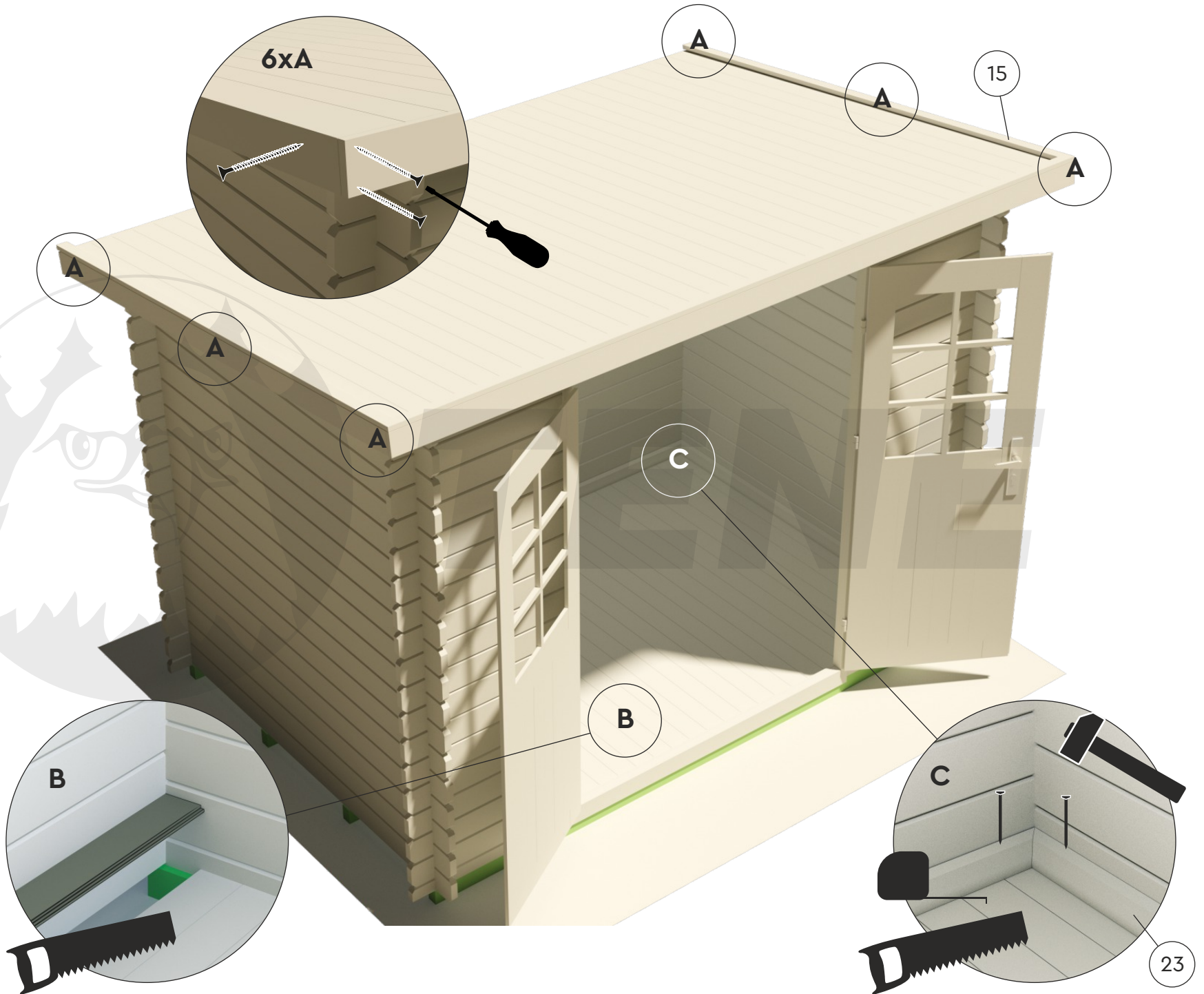
GLORIA A



GLORIA A

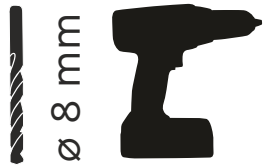
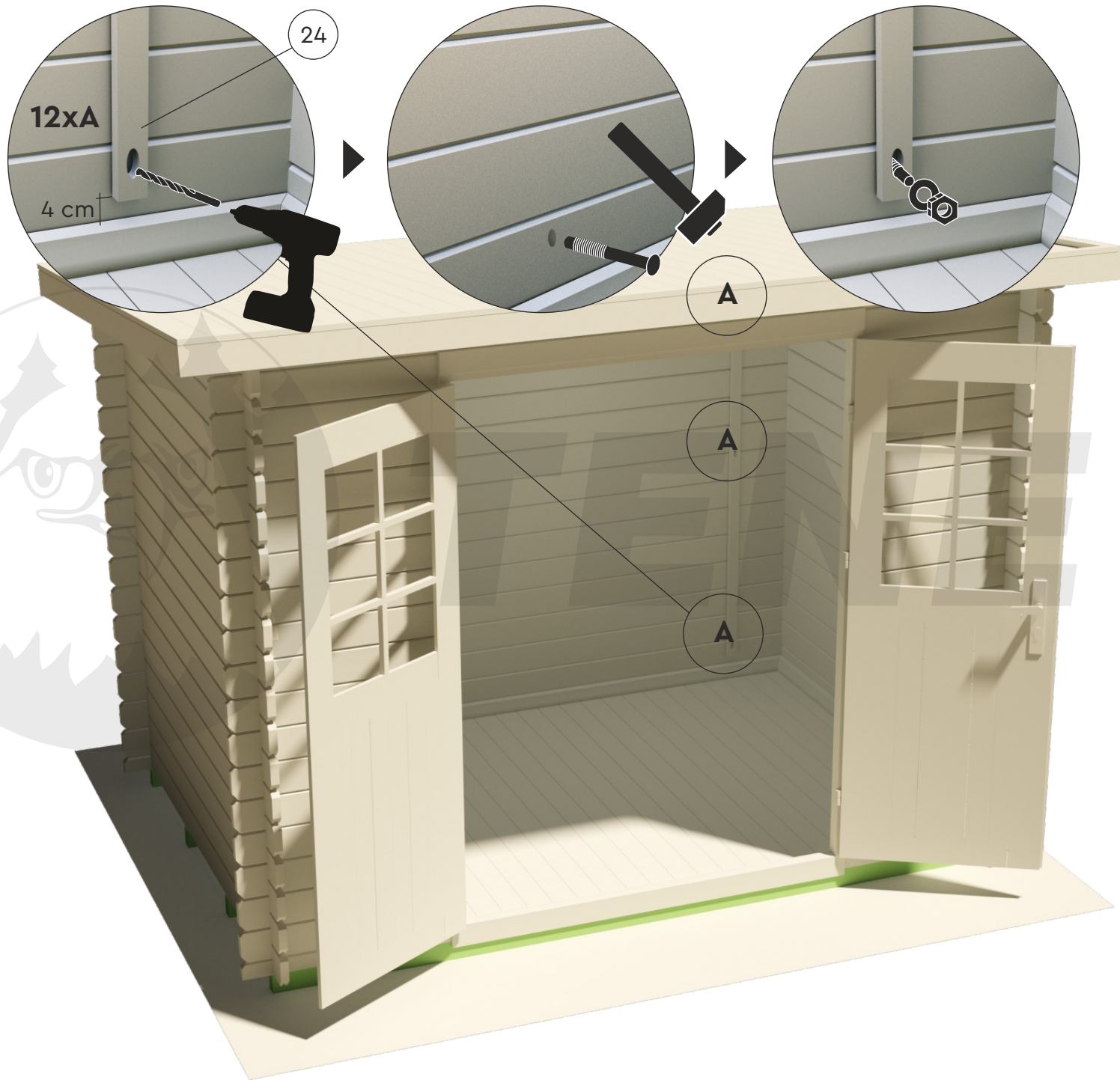


10/12

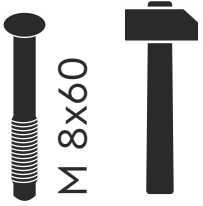


23

GLORIA A

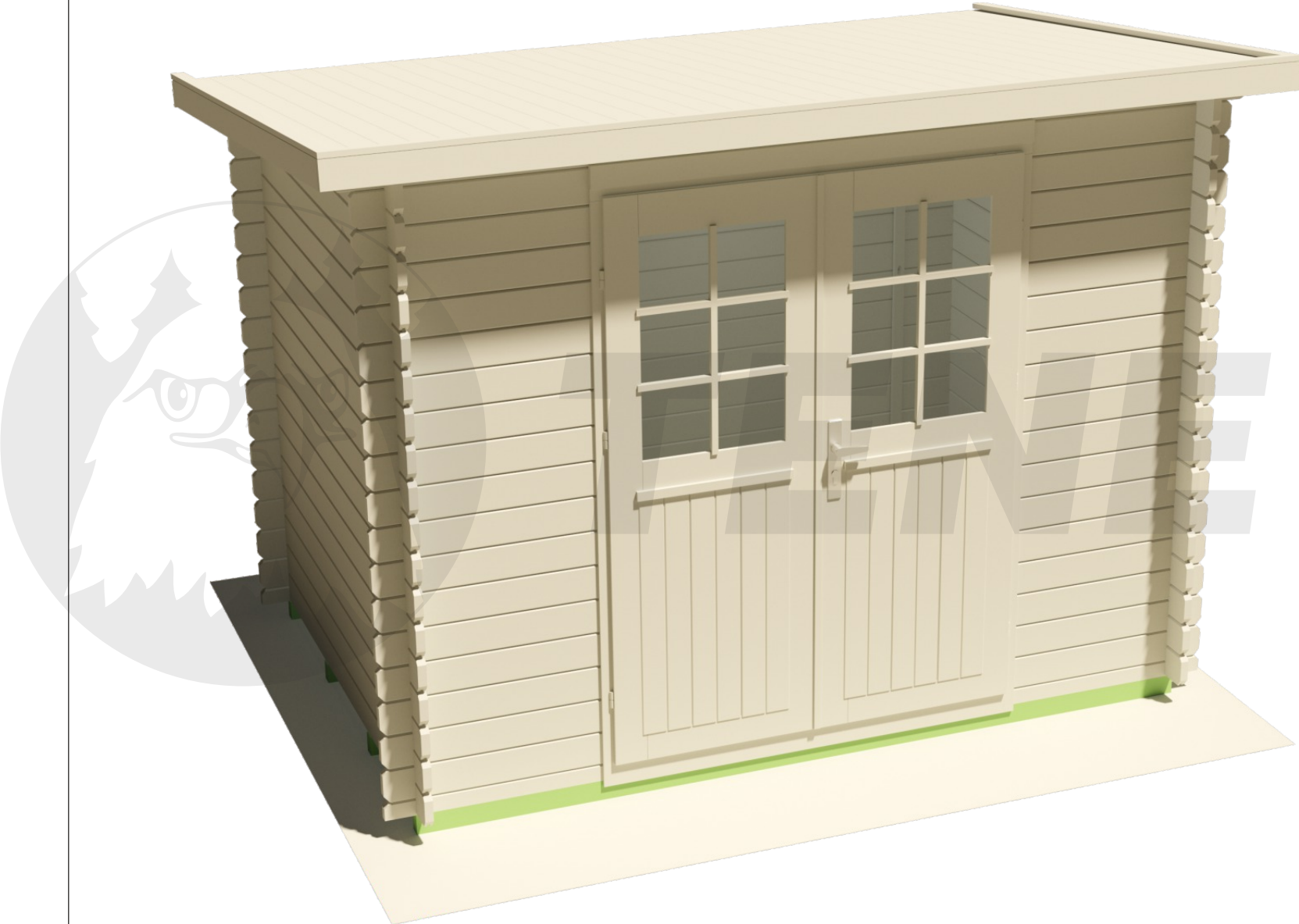


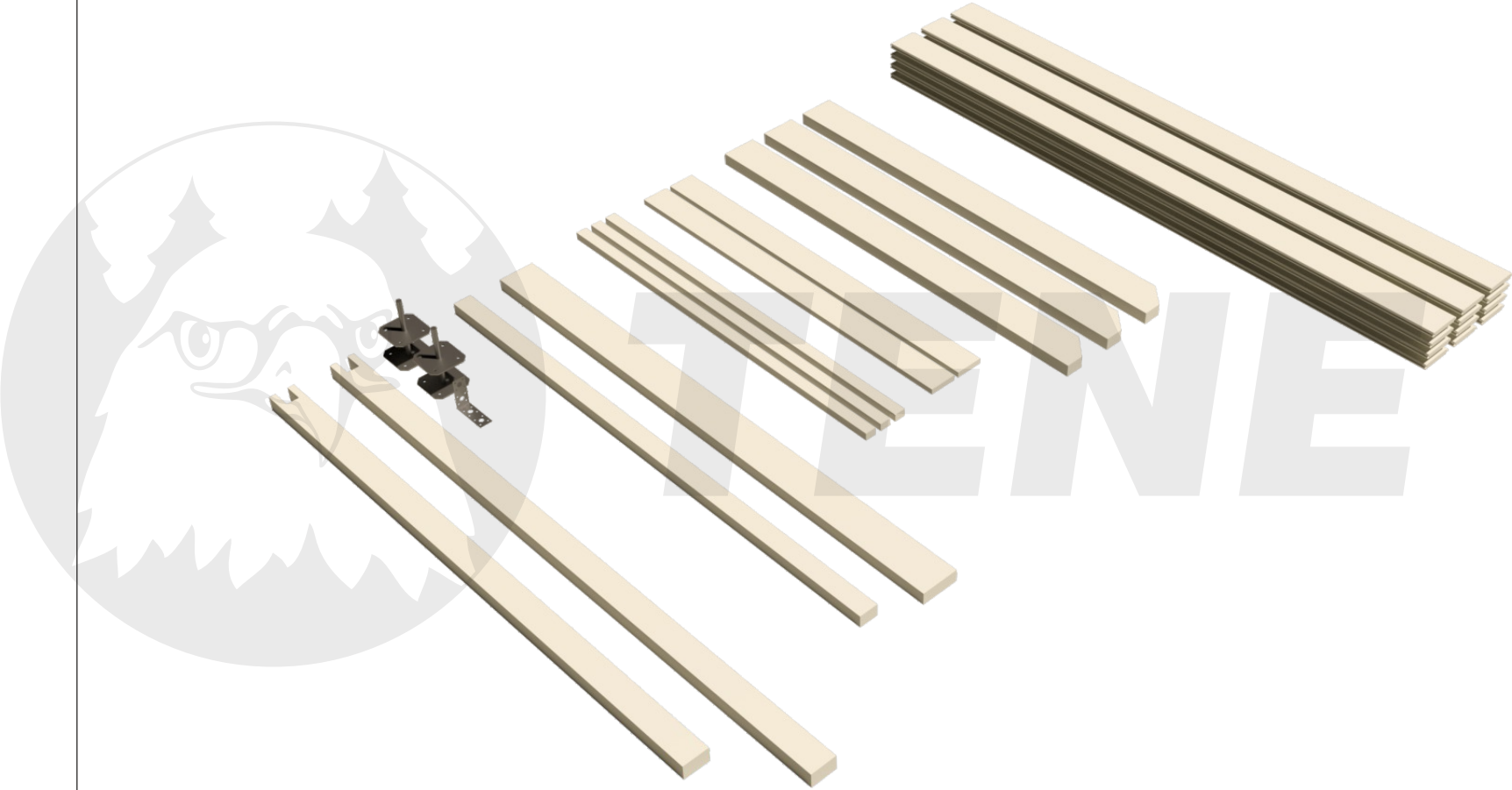
Ø 8 mm



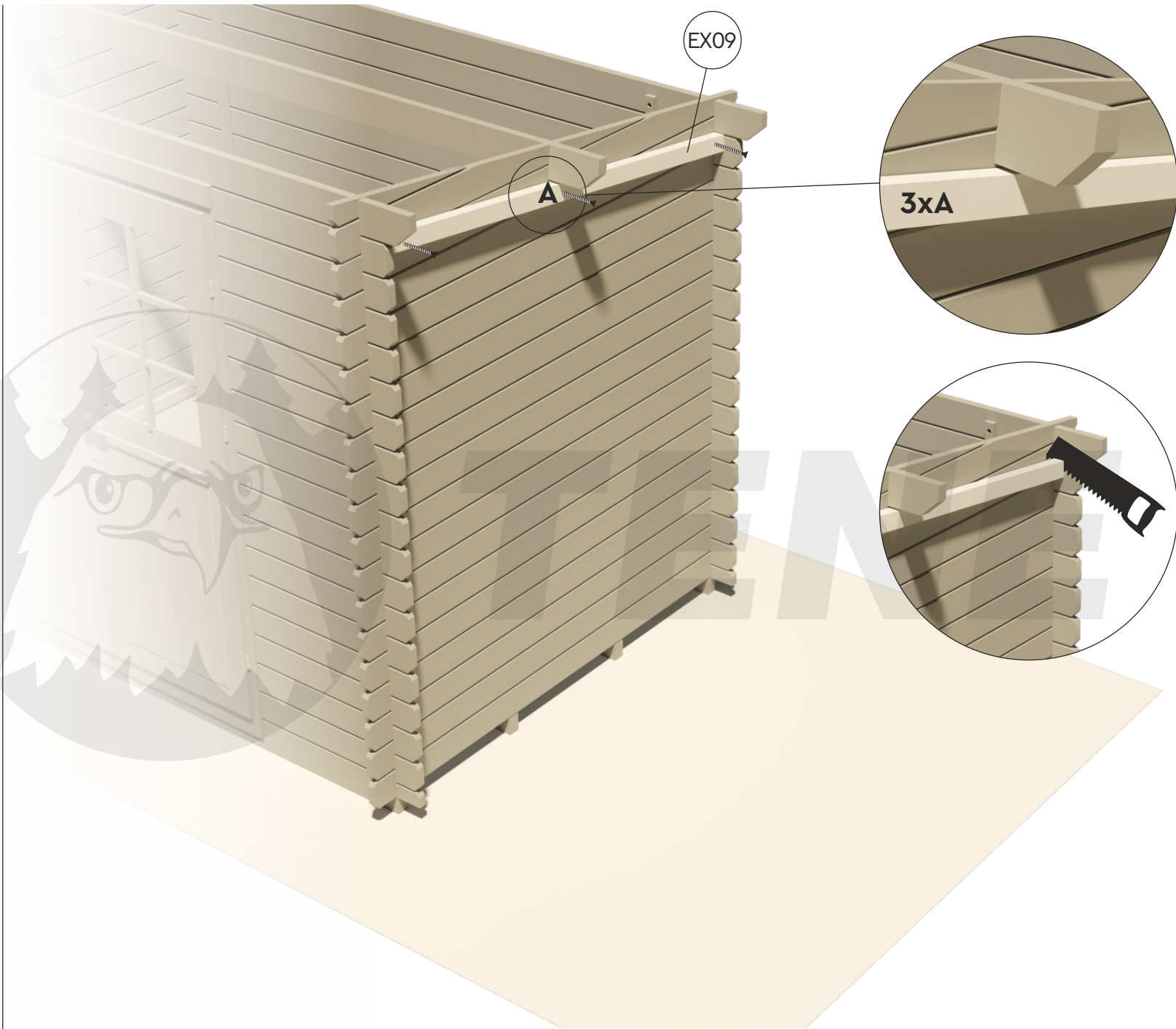
M 8x60

GLORIA A





GLORIA SD150



GLORIA SD150



ø 4 mm



ø 3 mm



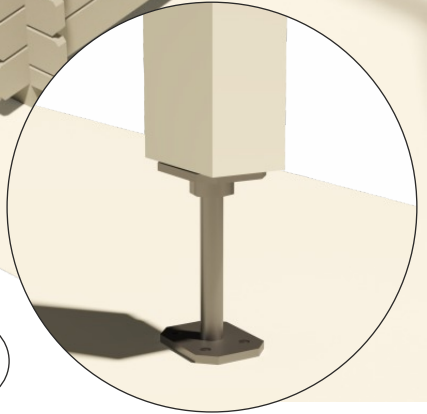
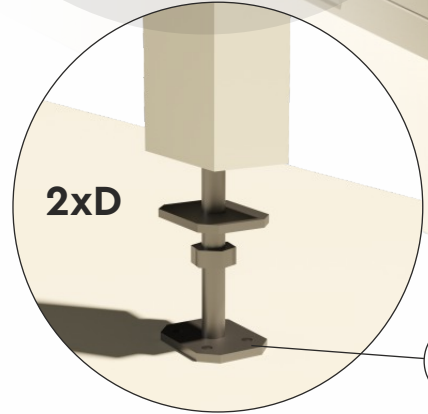
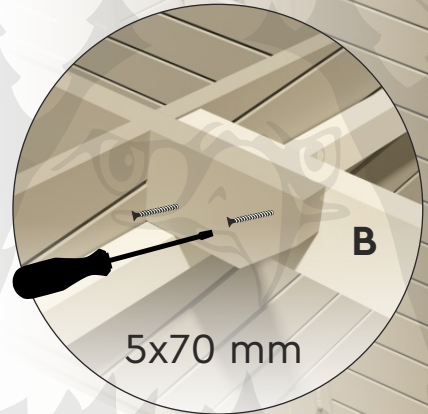
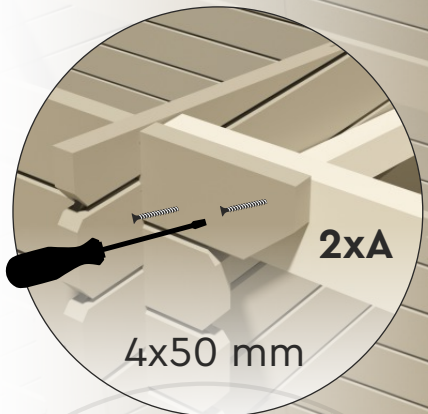
5x70 mm



4x50 mm



4x40 mm



EX02

A

B

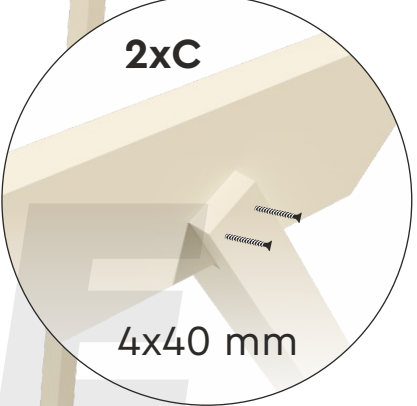
A

C

EX06

C

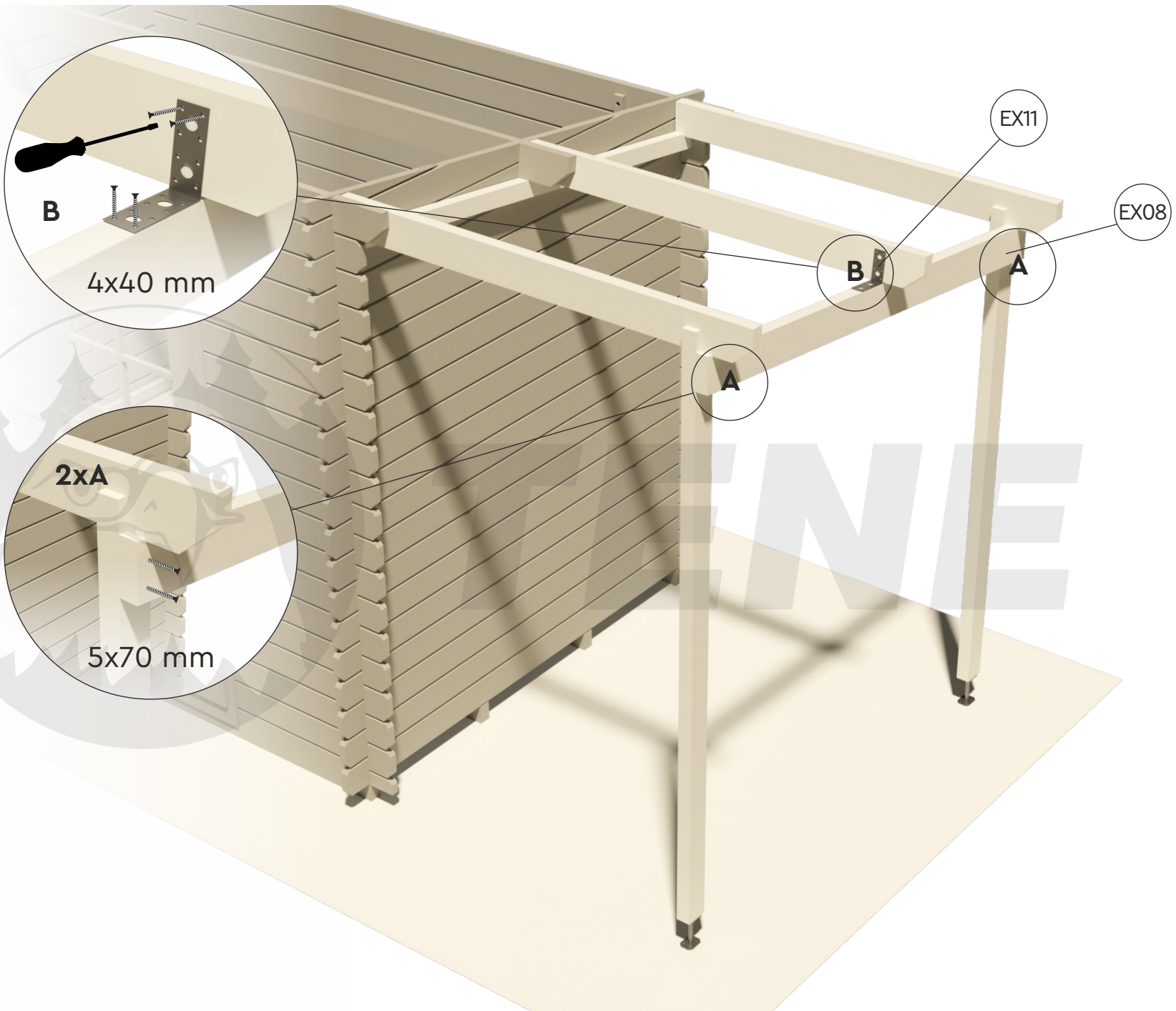
EX05



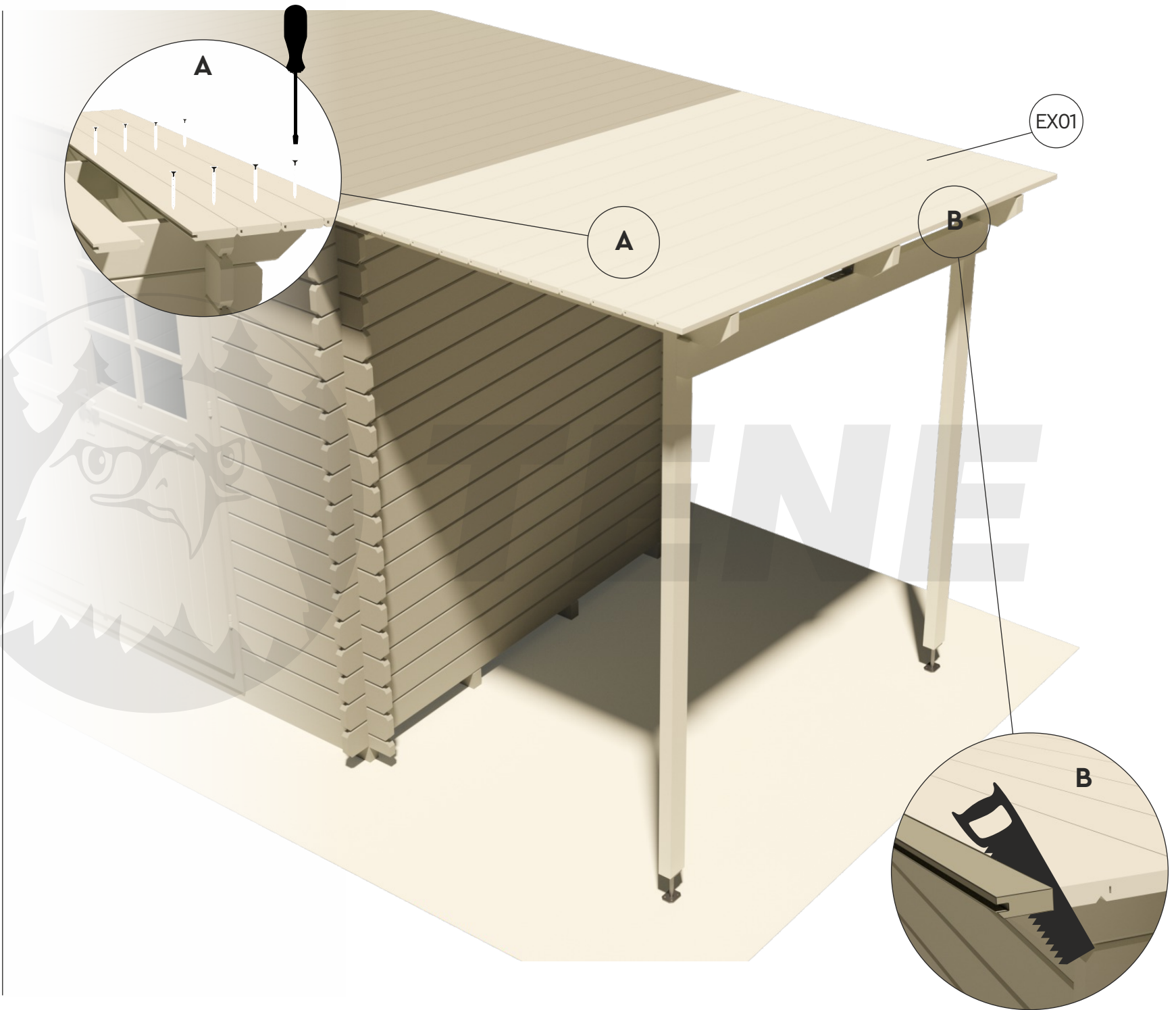
D

D

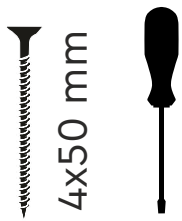
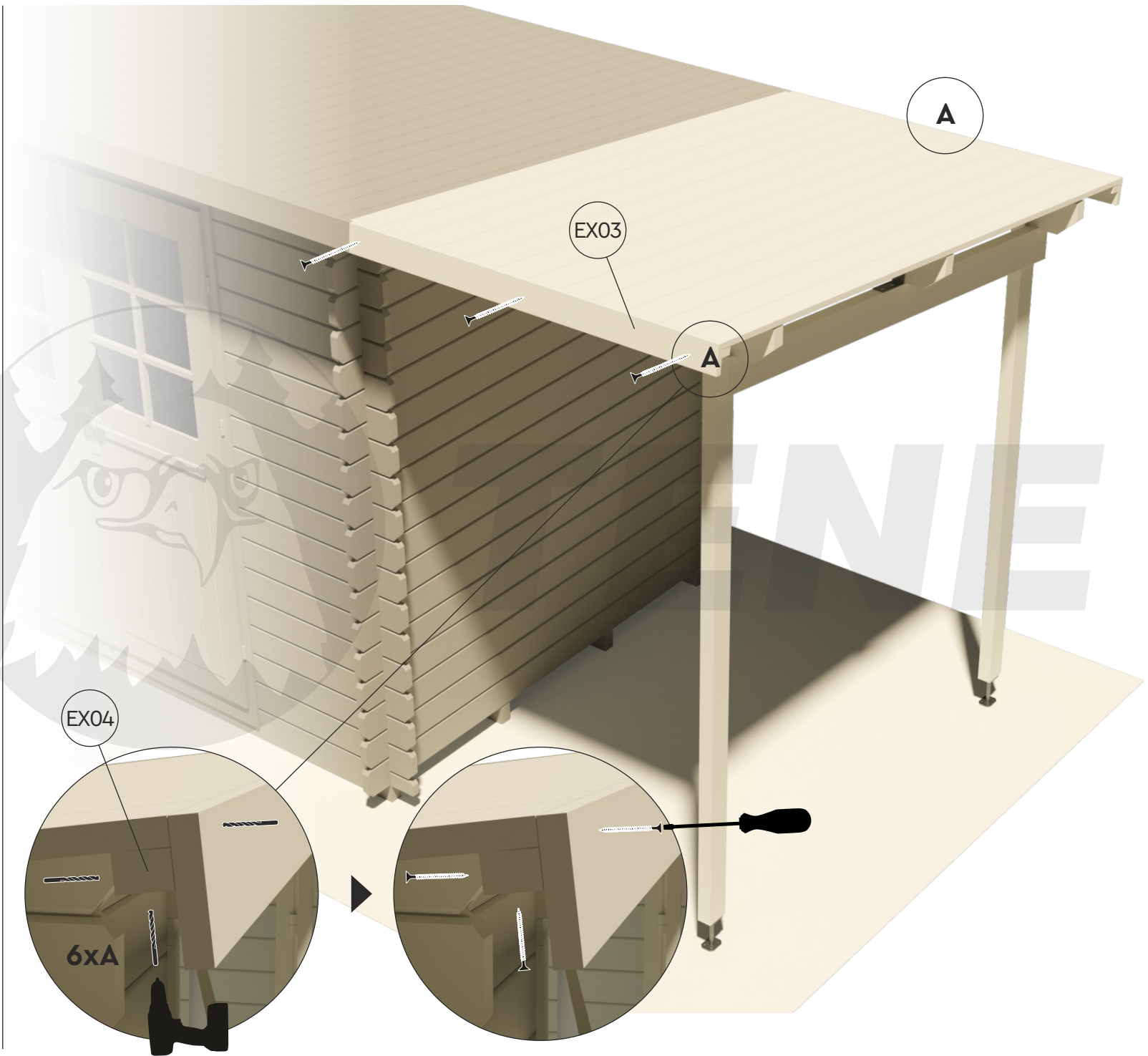
GLORIA SD150



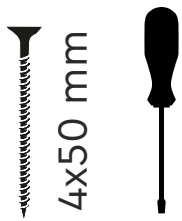
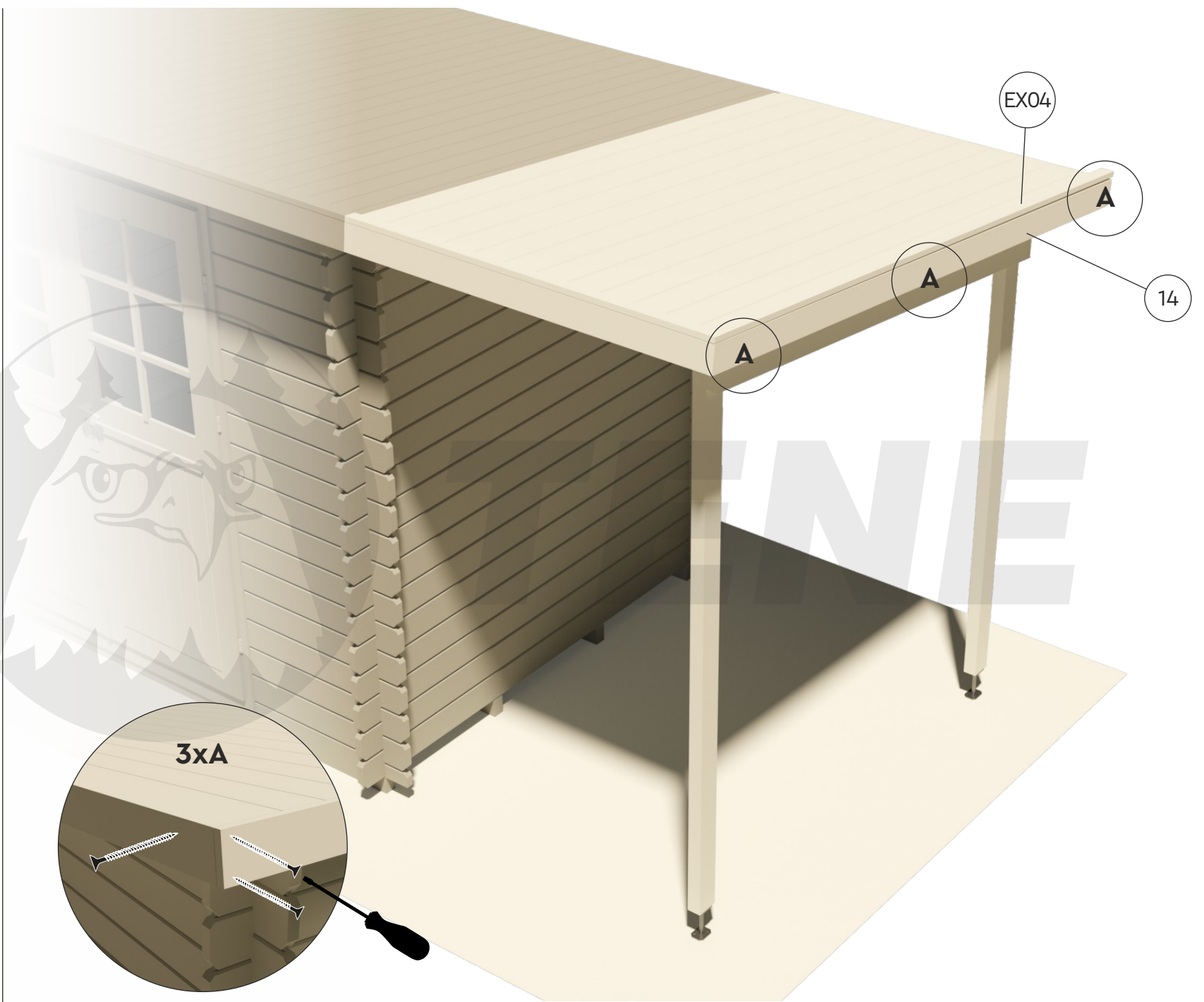
GLORIA SD150



GLORIA SD150



GLORIA SD150



GLORIA SD150

