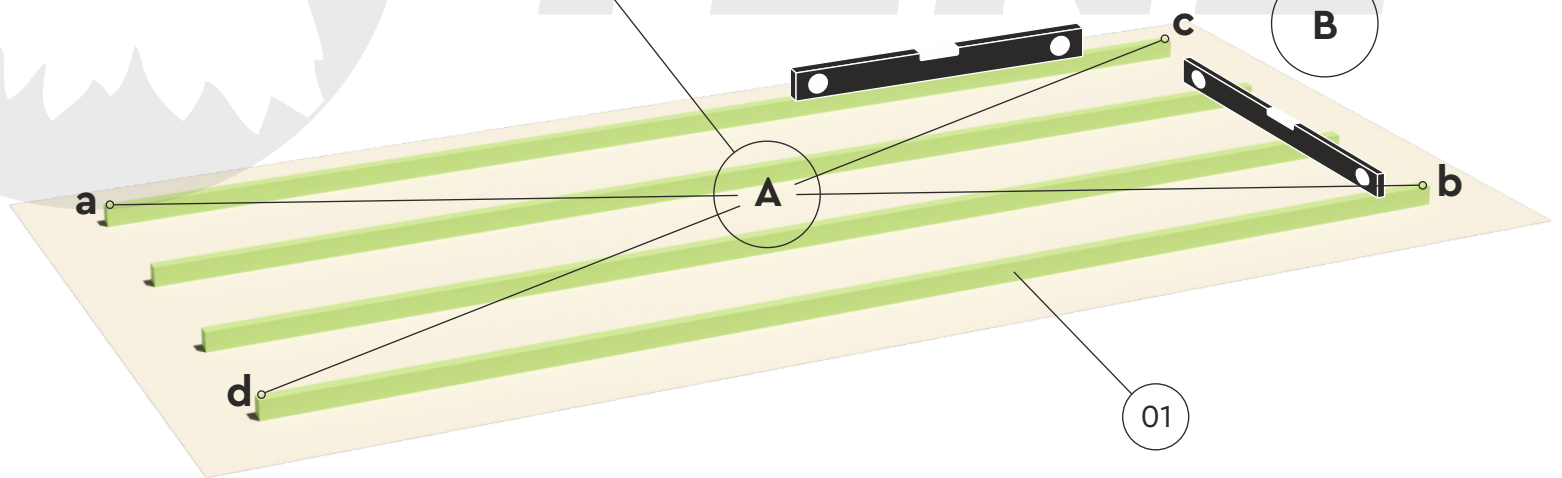
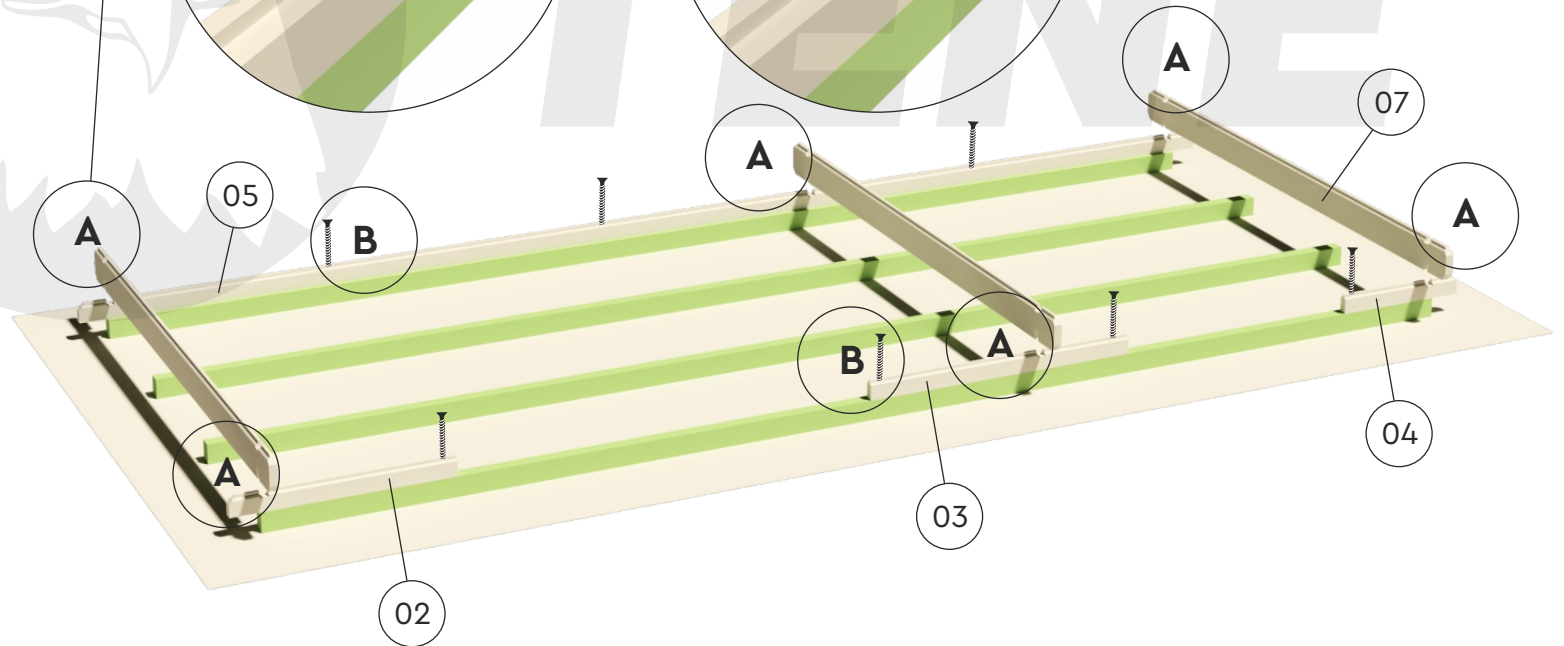
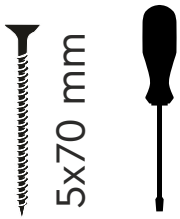
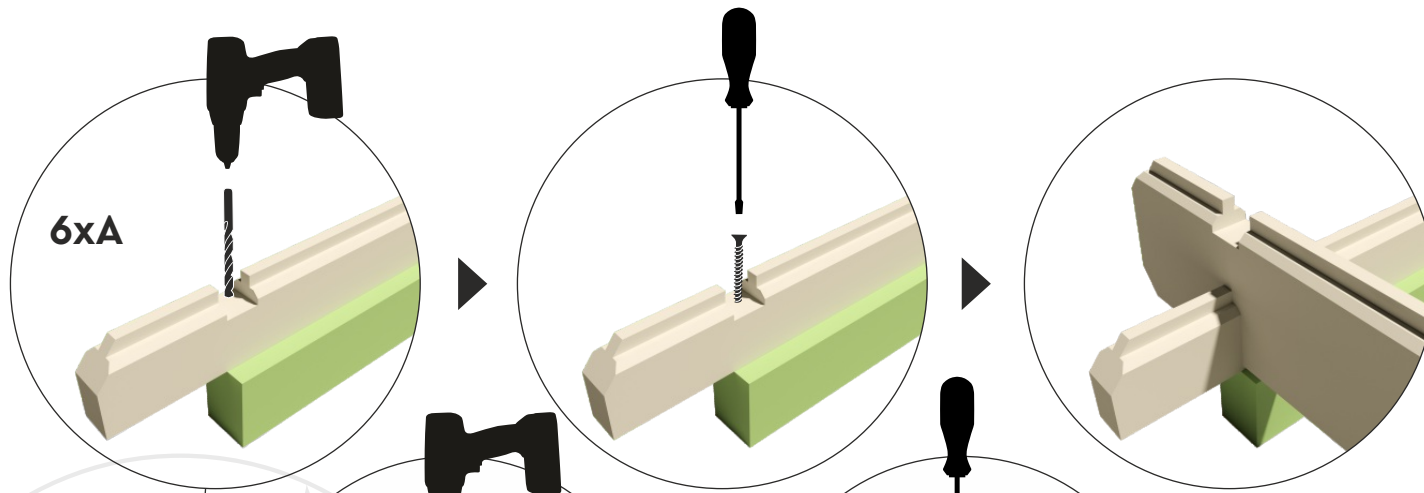


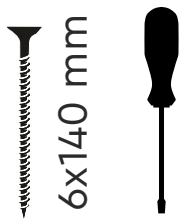
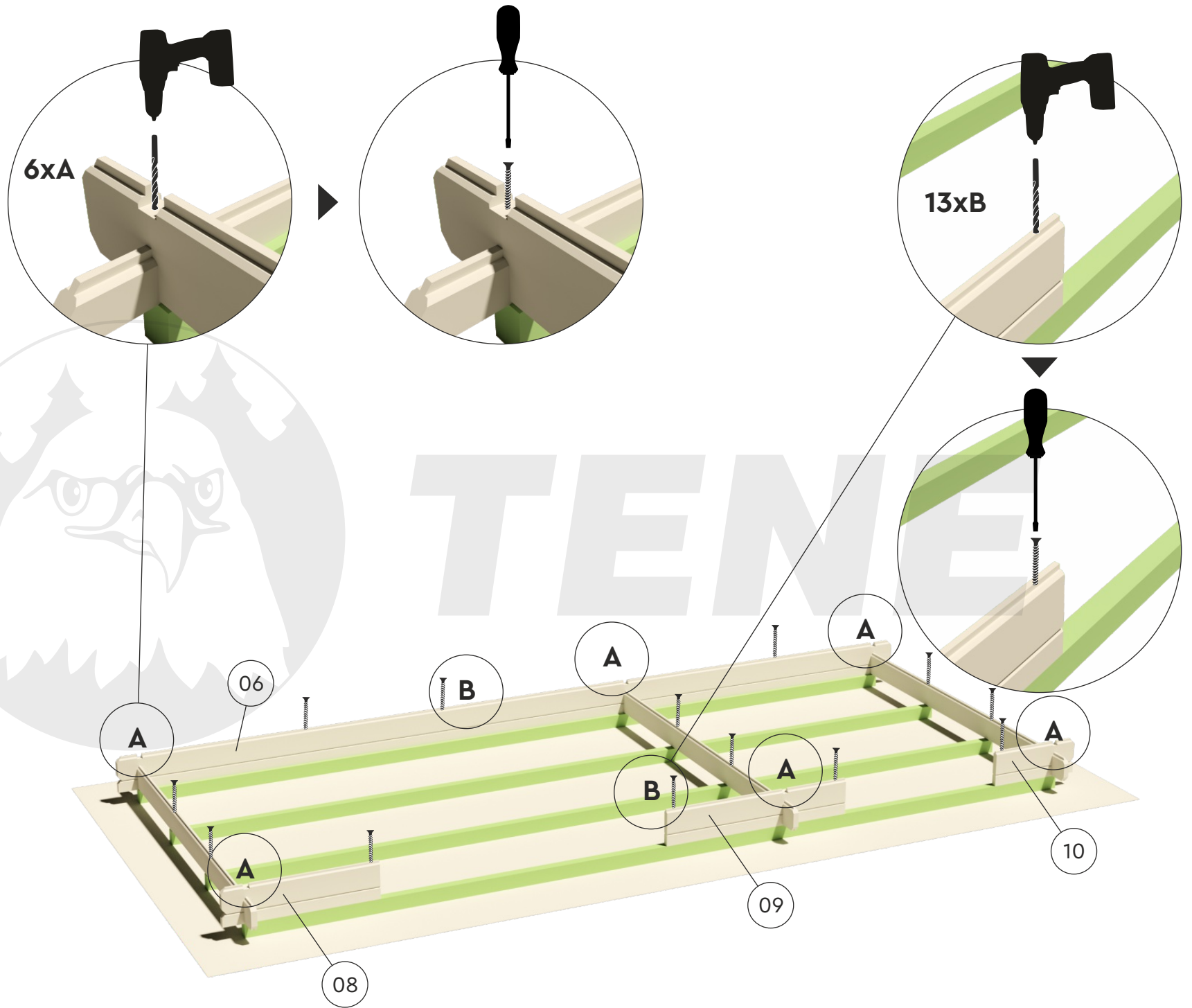
TENE



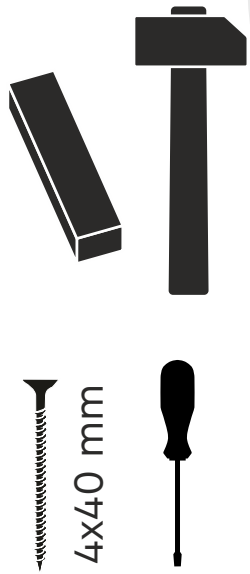
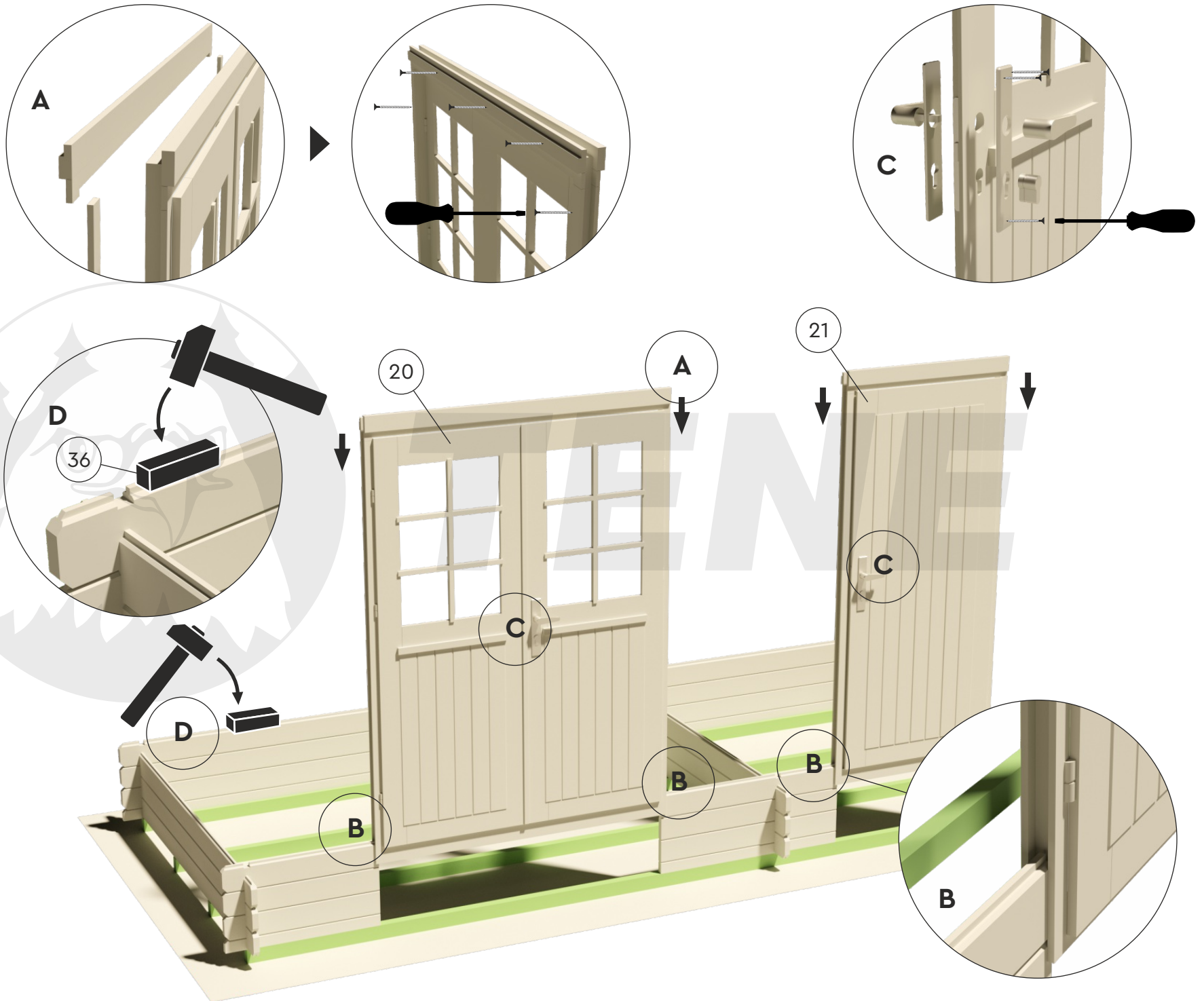
GLORIA F



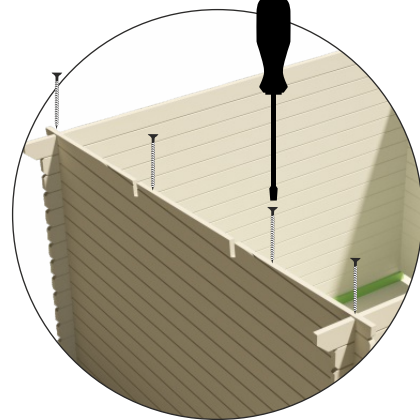
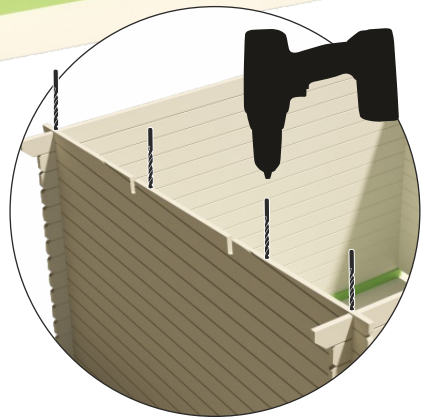
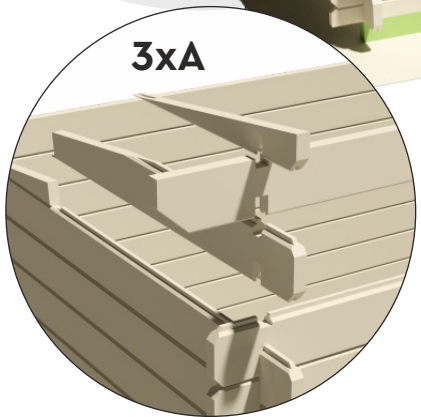
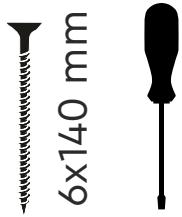
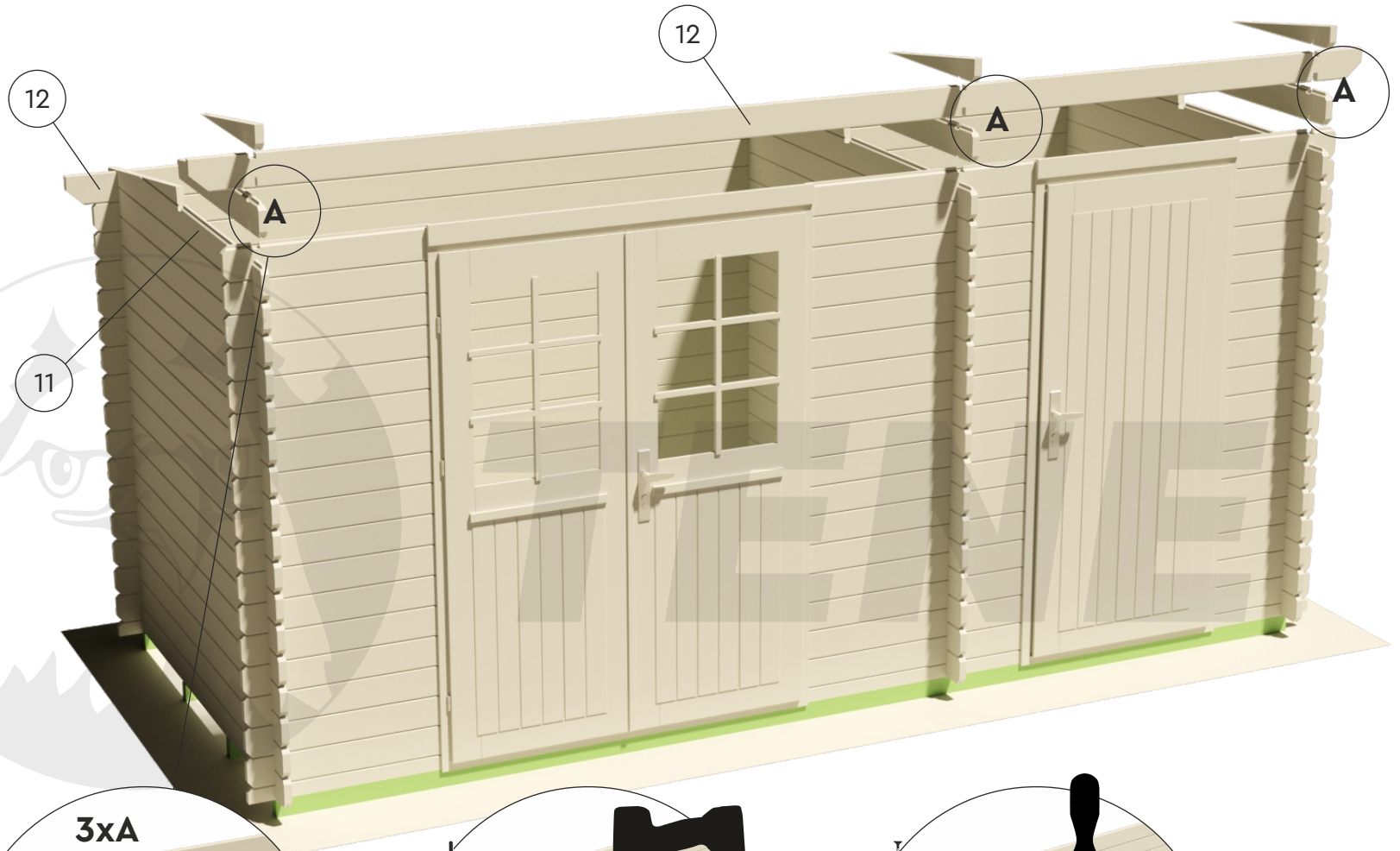
GLORIA F



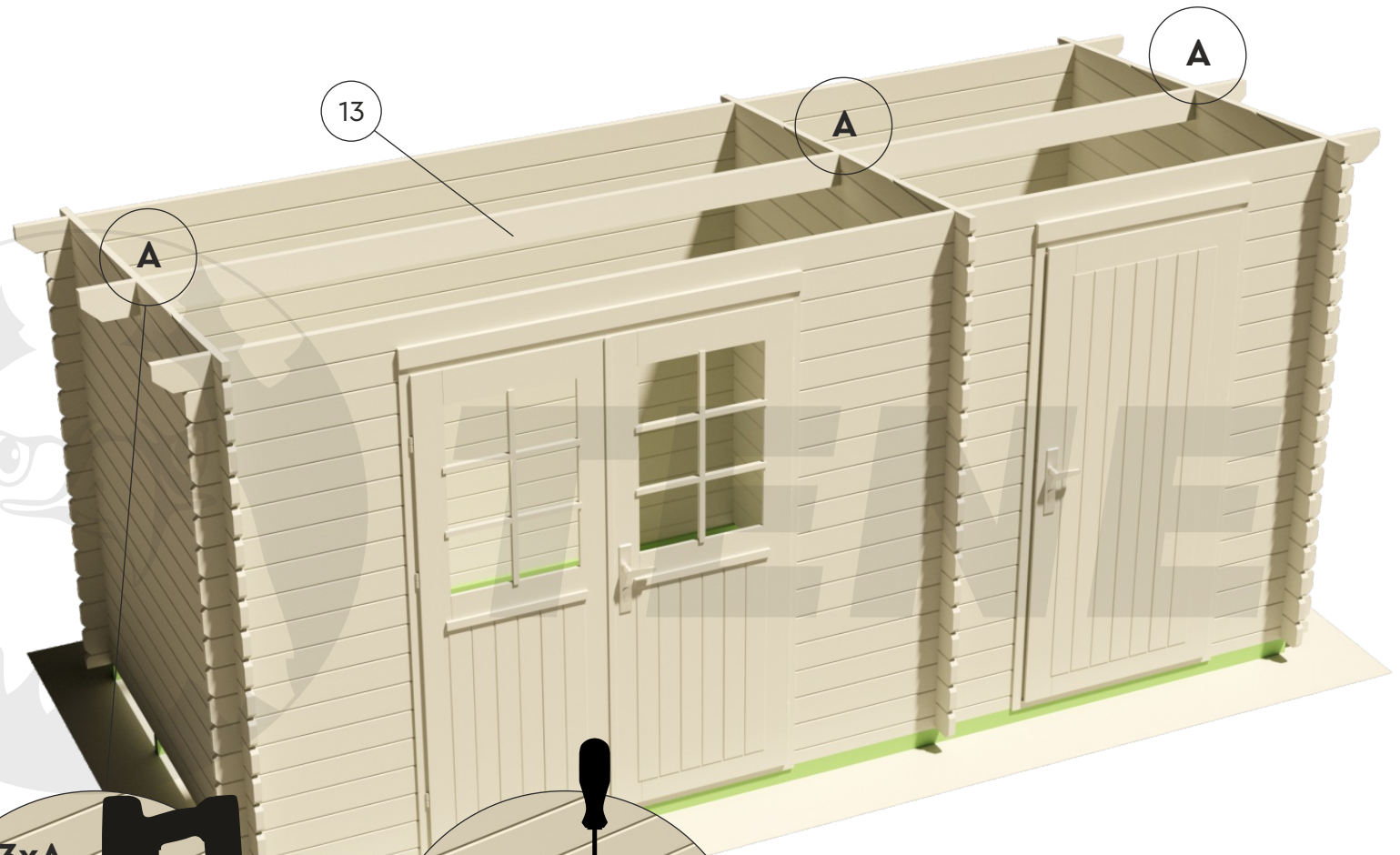
GLORIA F



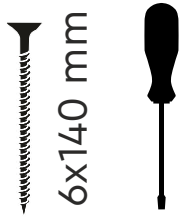
GLORIA F



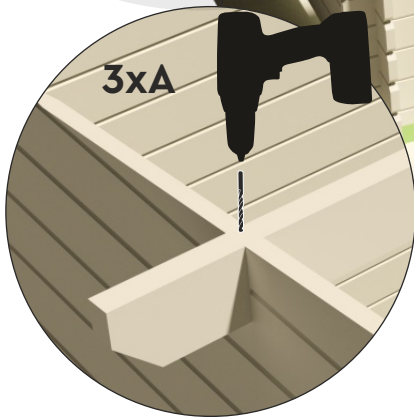
GLORIA F



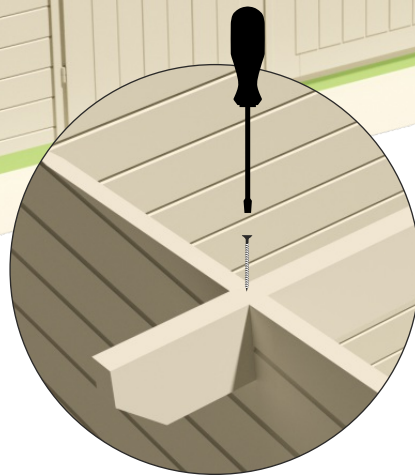
Ø 5 mm



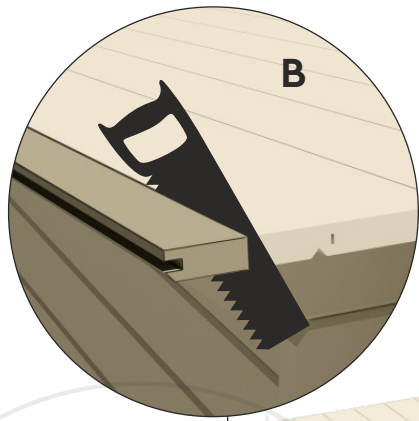
6x140 mm



3xA



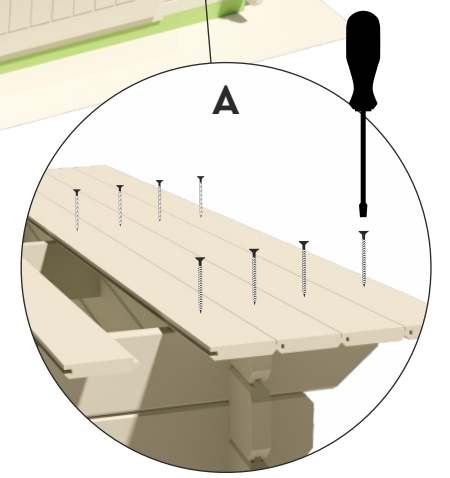
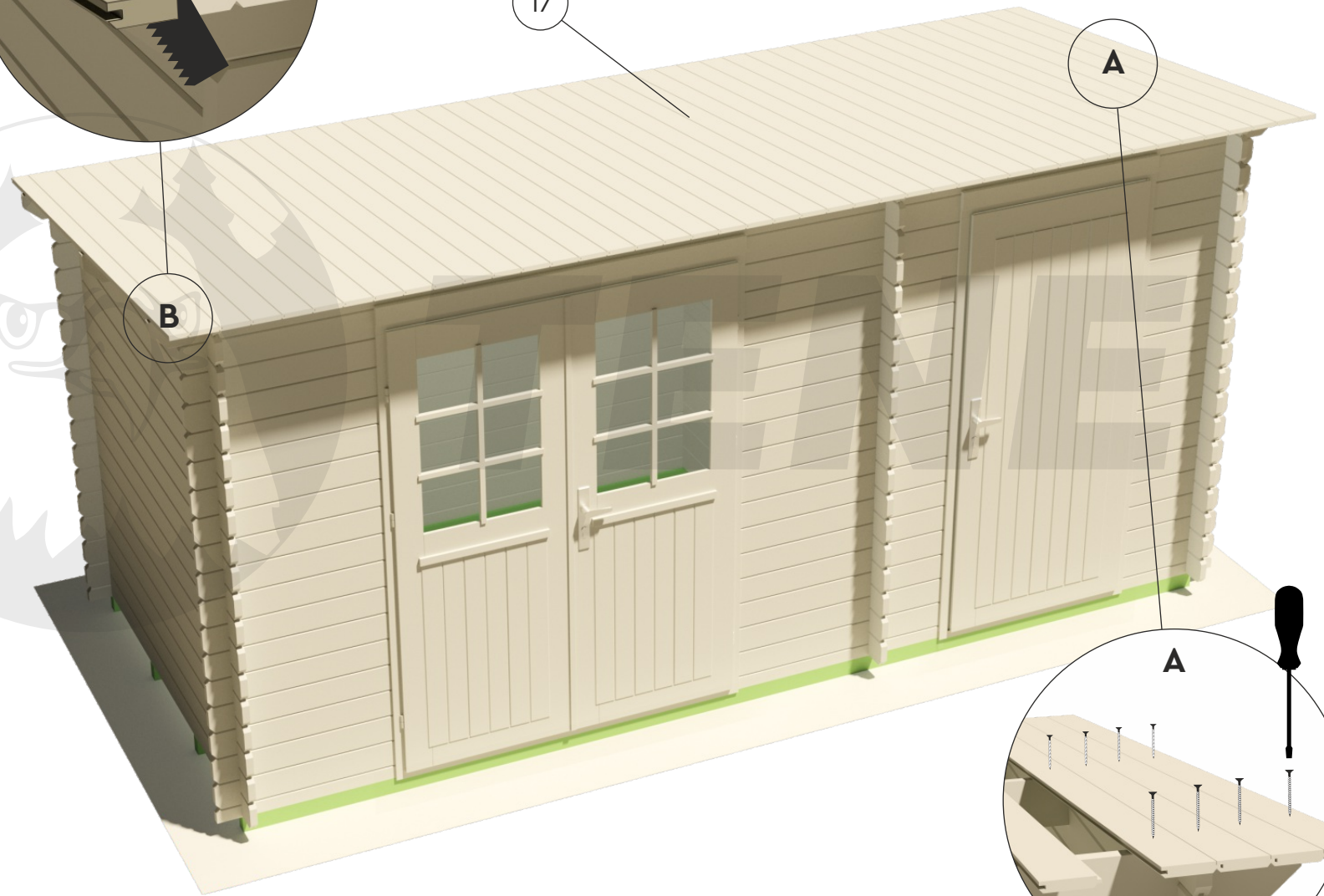
GLORIA F



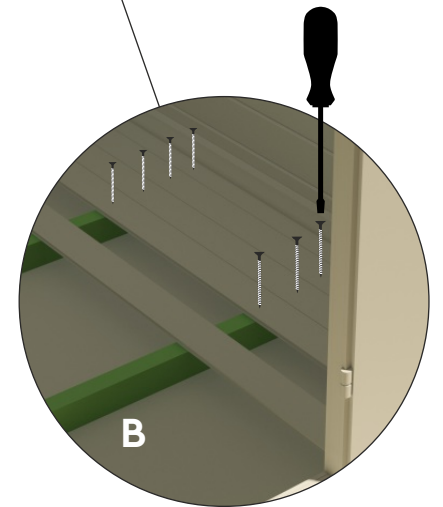
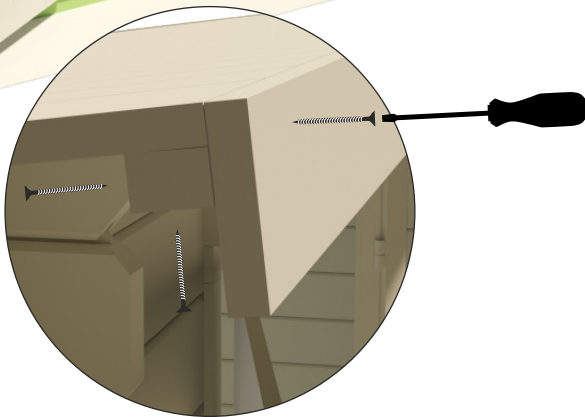
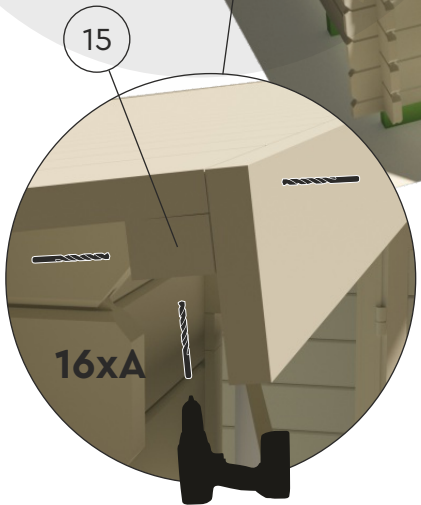
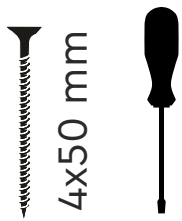
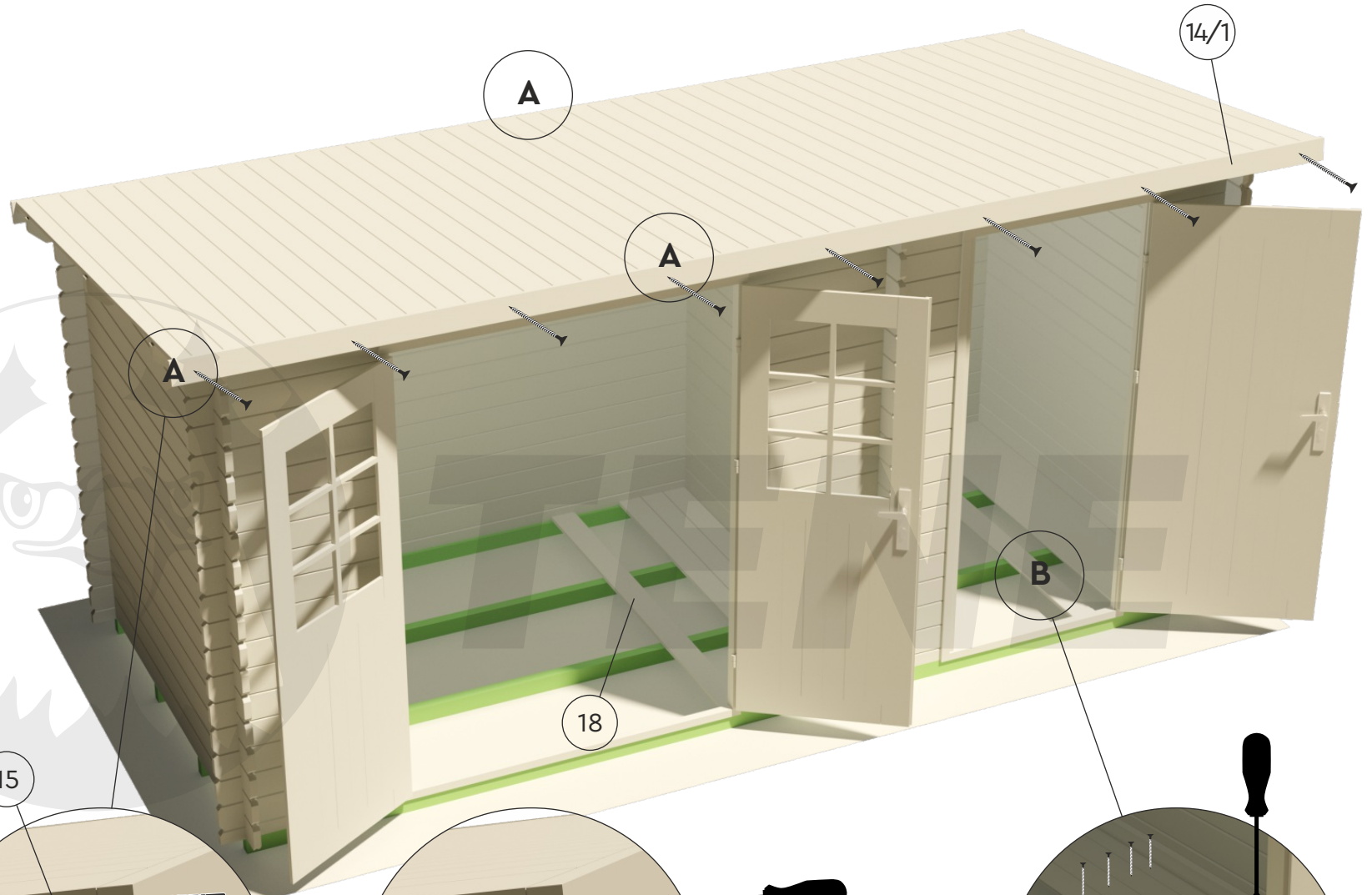
17

B

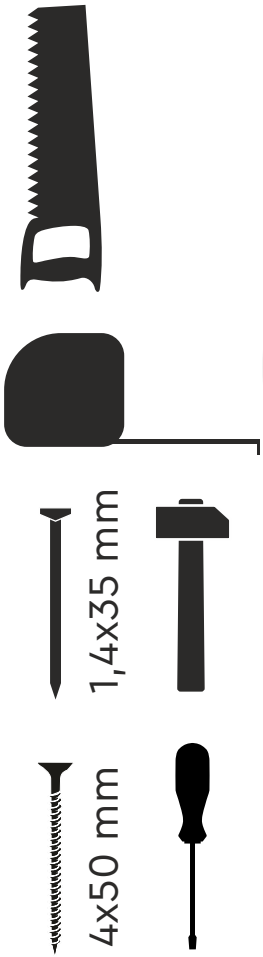
A



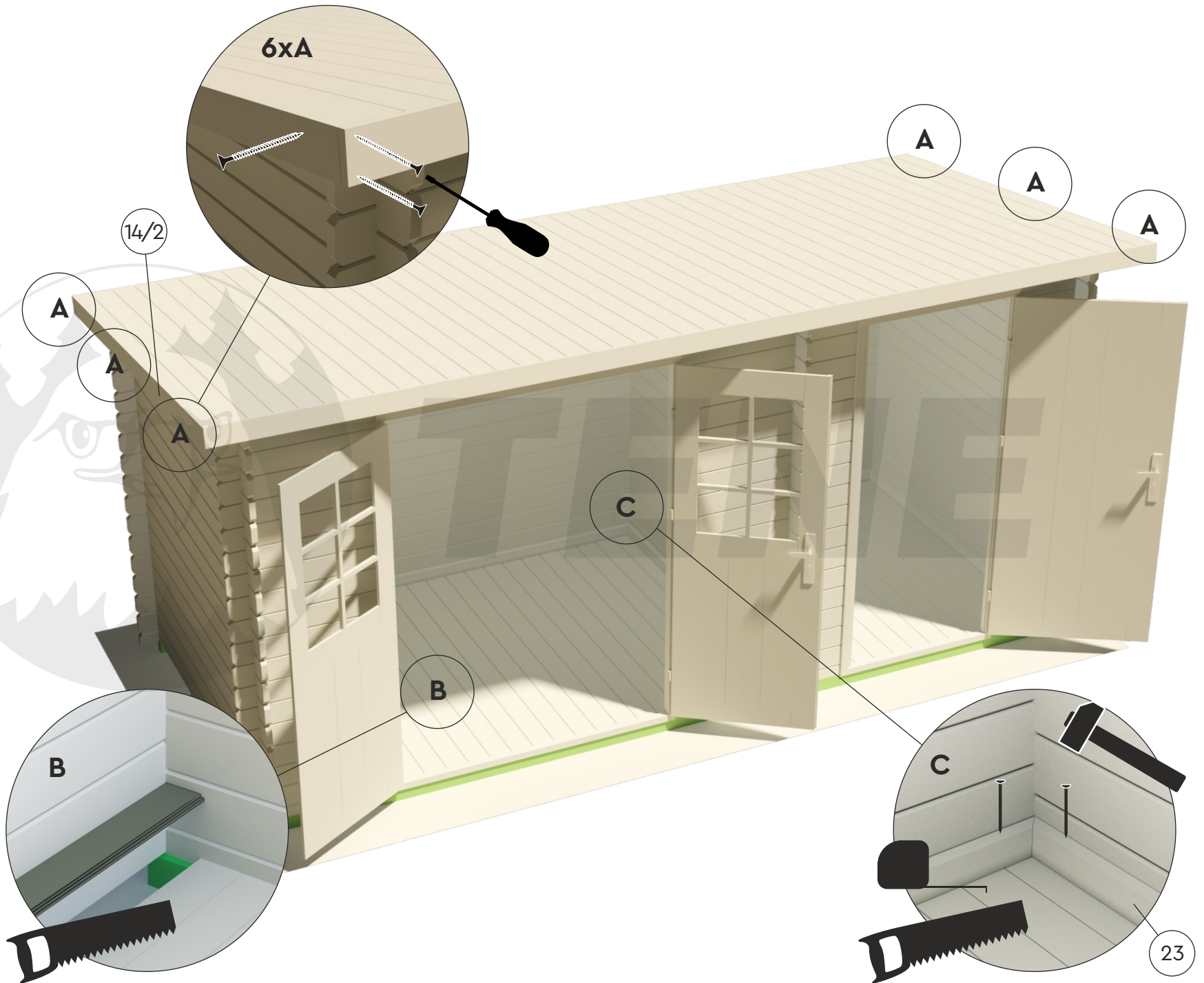
GLORIA F



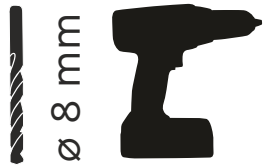
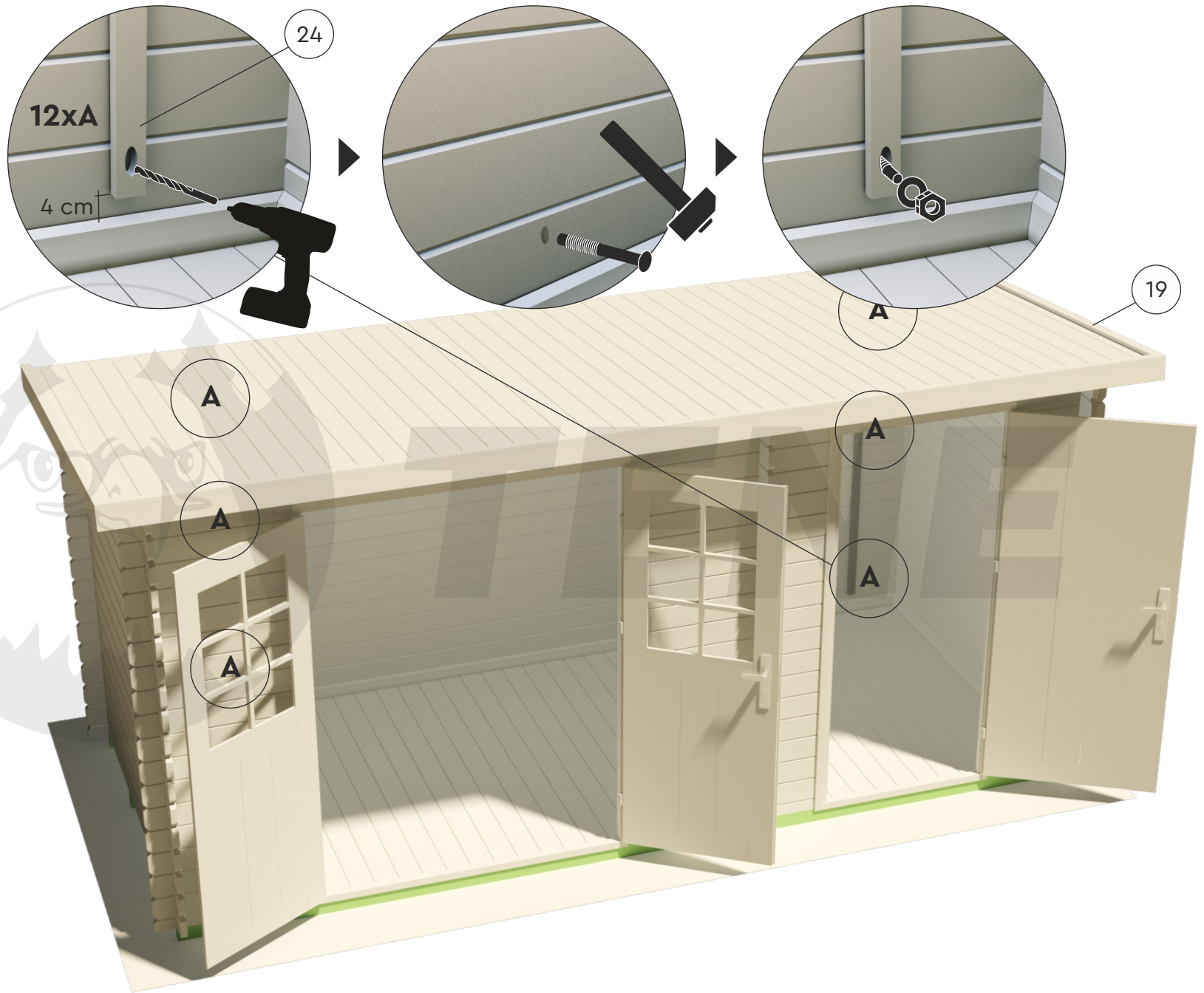
GLORIA F



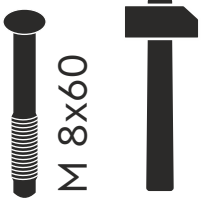
10/12



GLORIA F

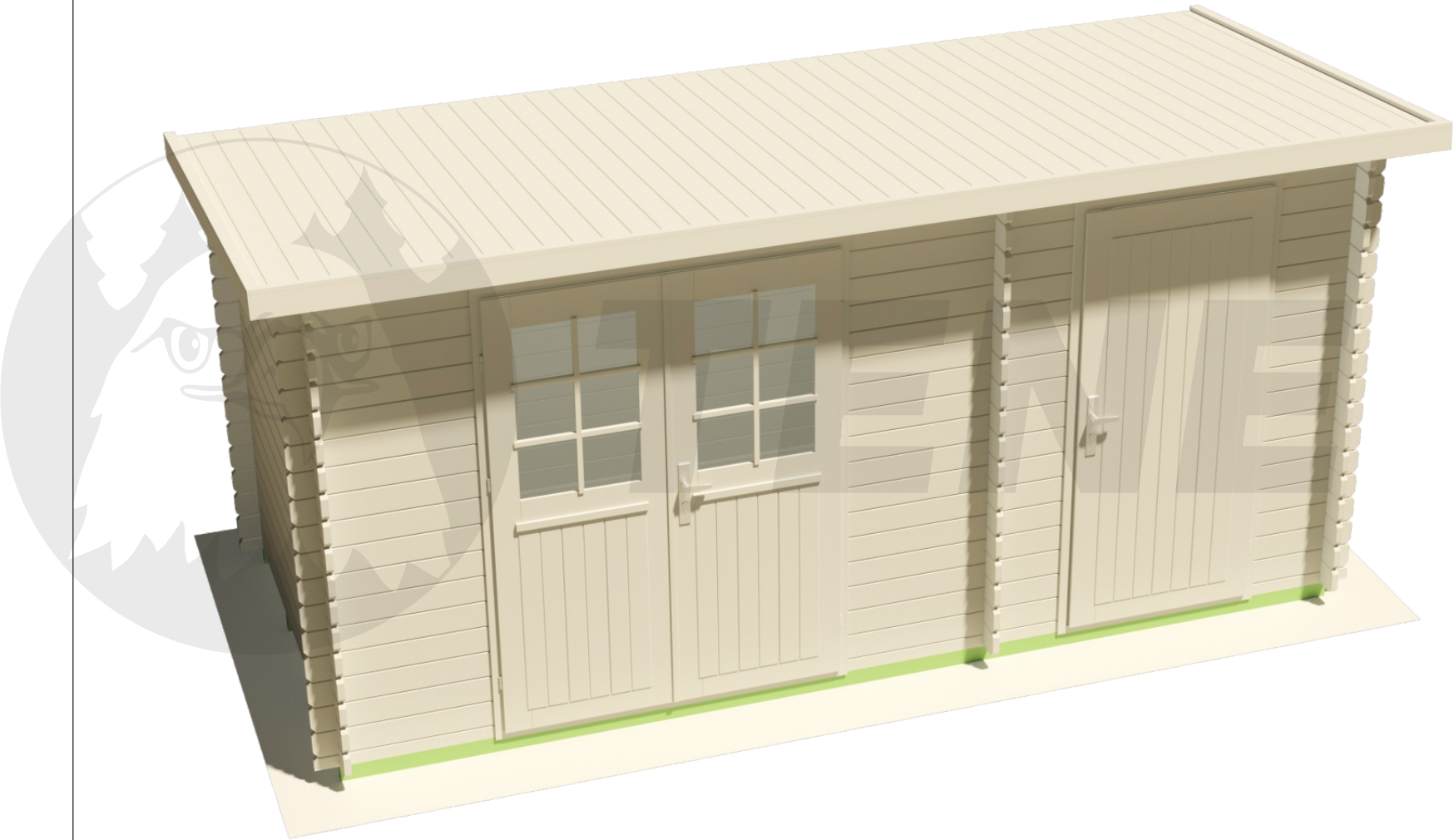


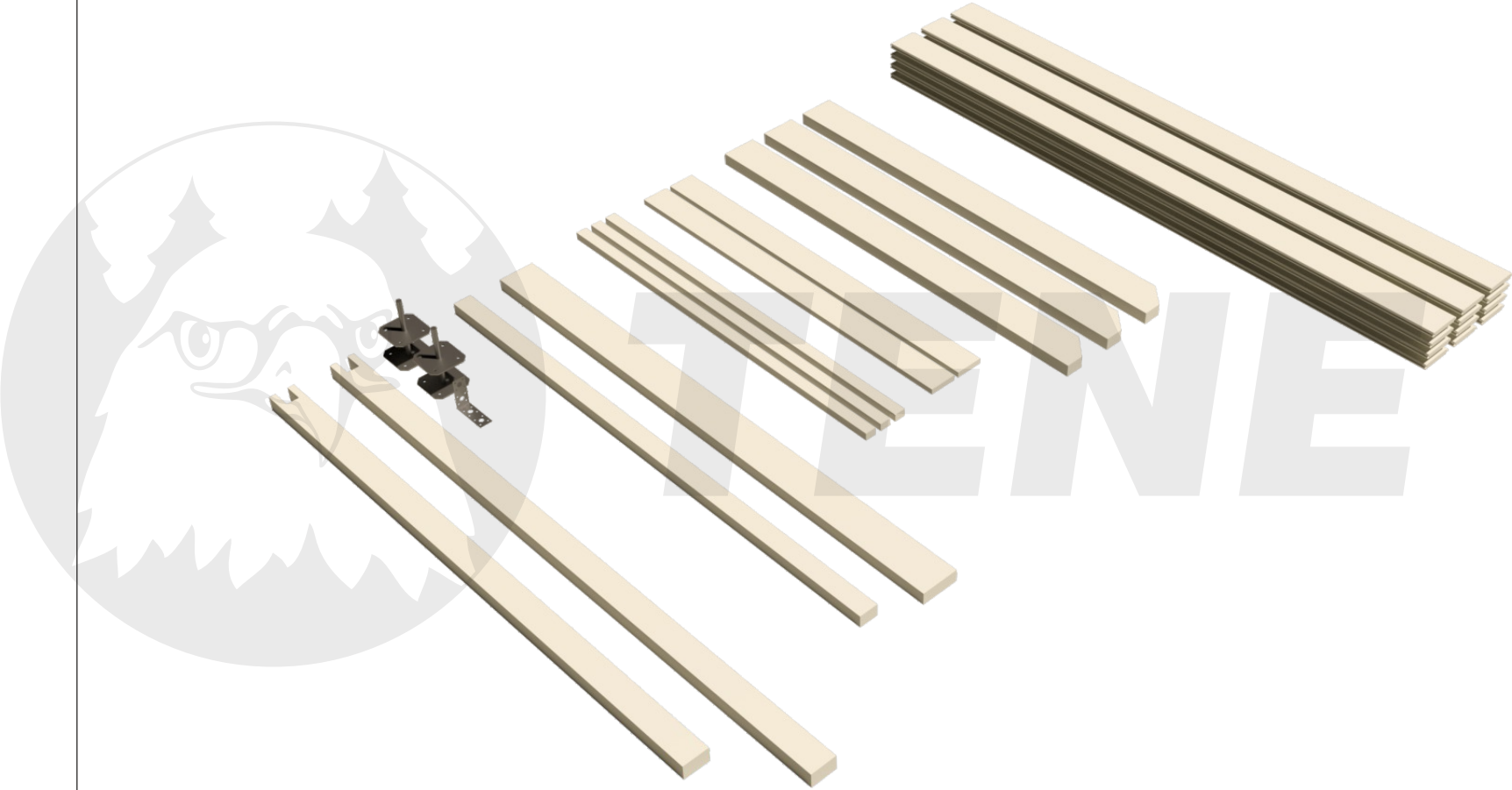
Ø 8 mm



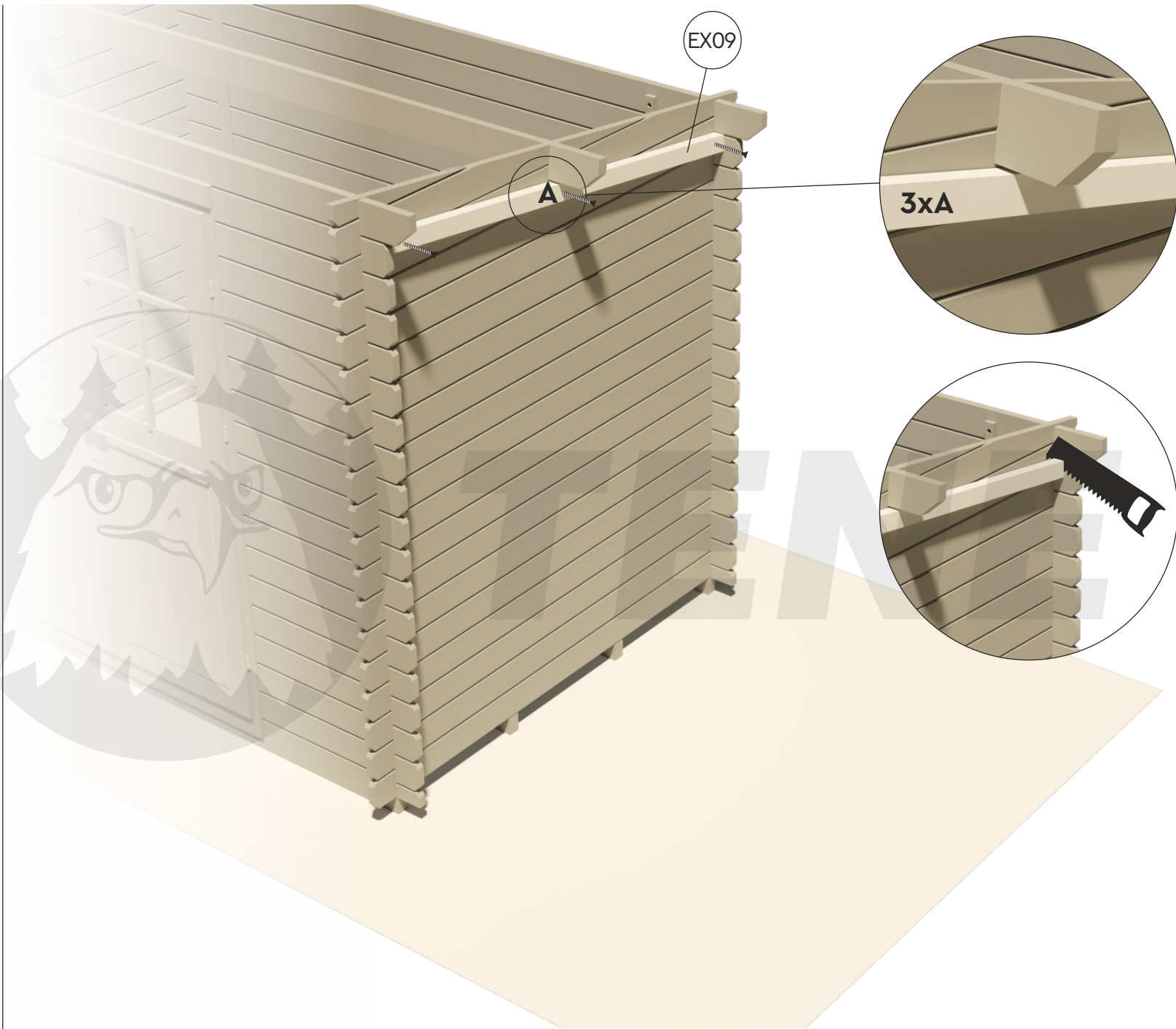
M 8x60

GLORIA F





GLORIA SD150



GLORIA SD150



ø 4 mm



ø 3 mm



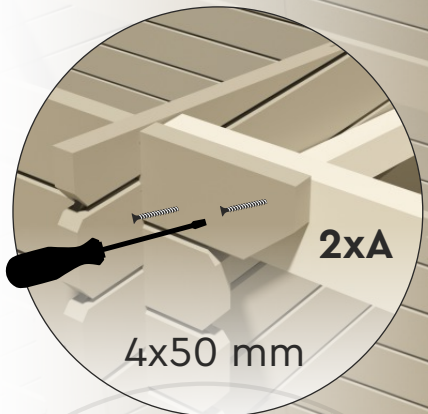
5x70 mm



4x50 mm

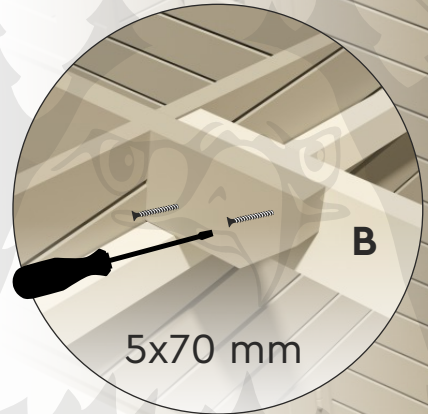


4x40 mm



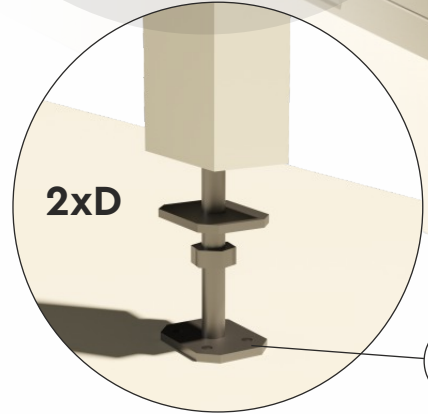
2xA

4x50 mm



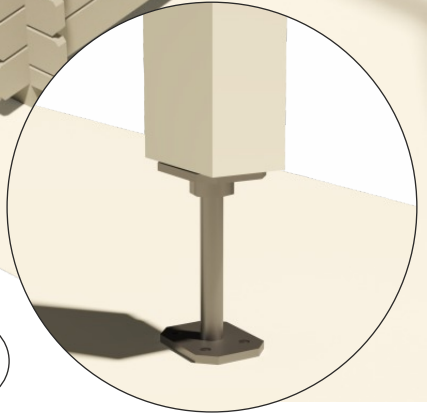
B

5x70 mm

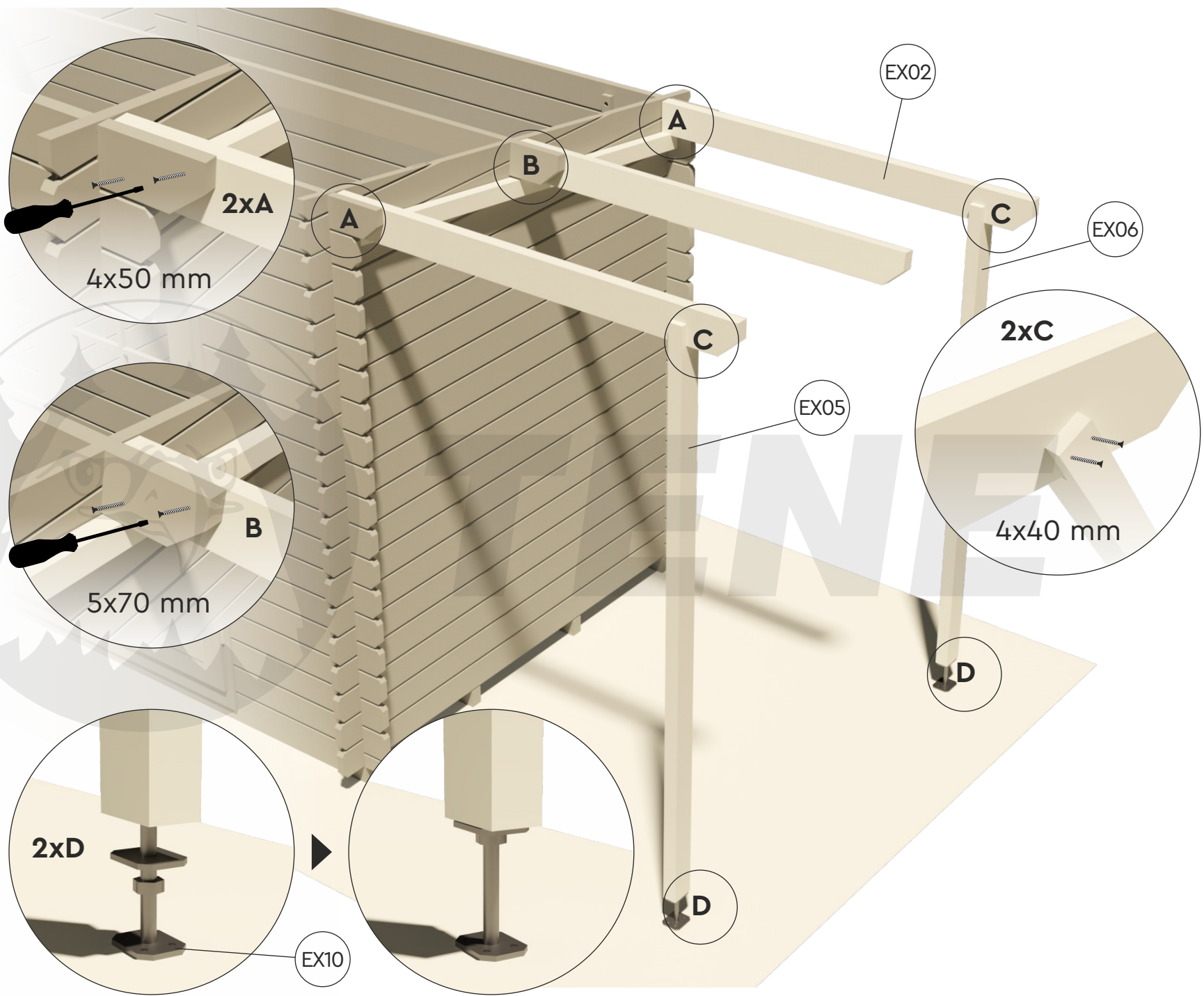


2xD

EX10



D



EX02

A

B

A

C

EX06

C

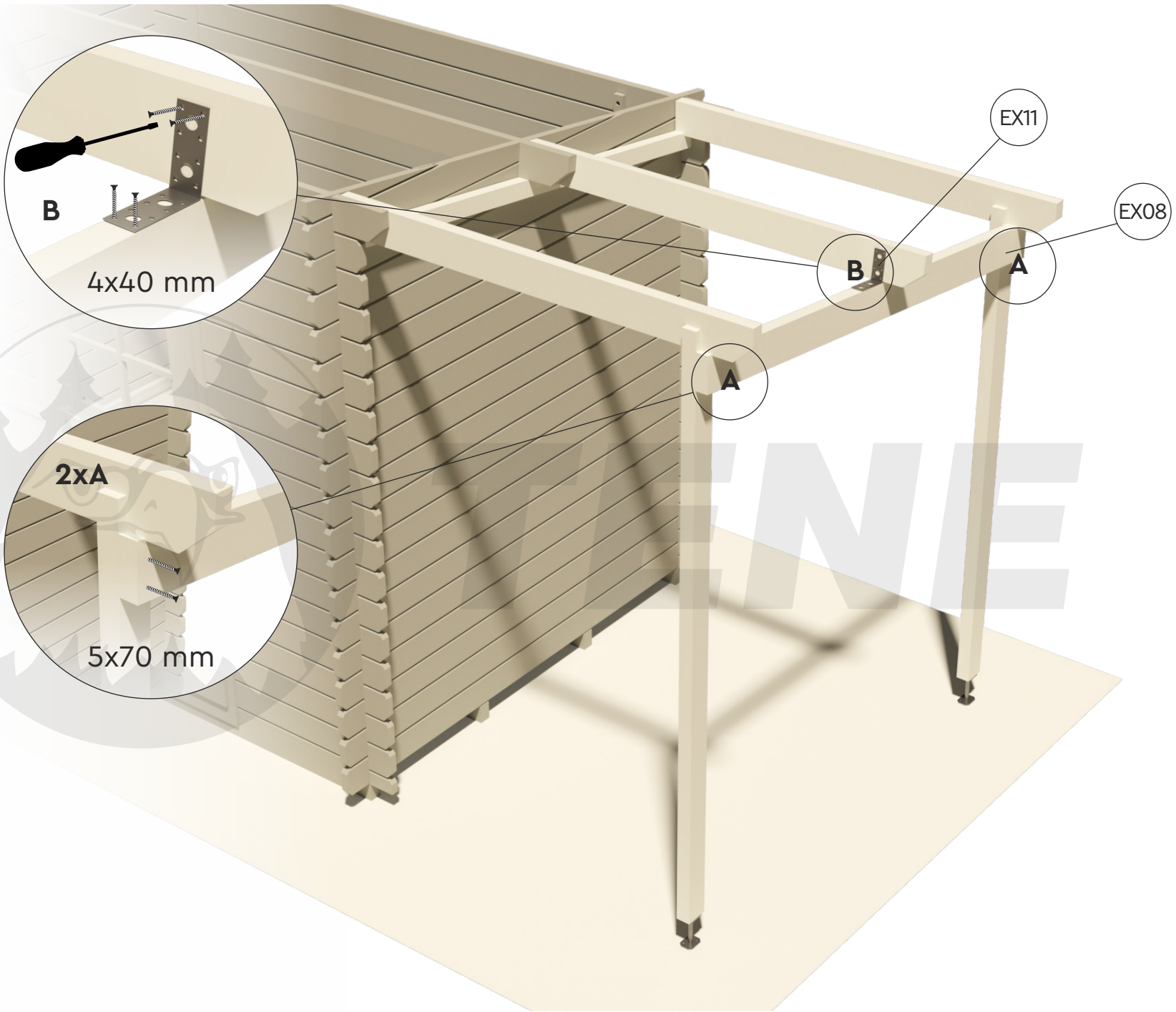
EX05

2xC

4x40 mm

D

GLORIA SD150



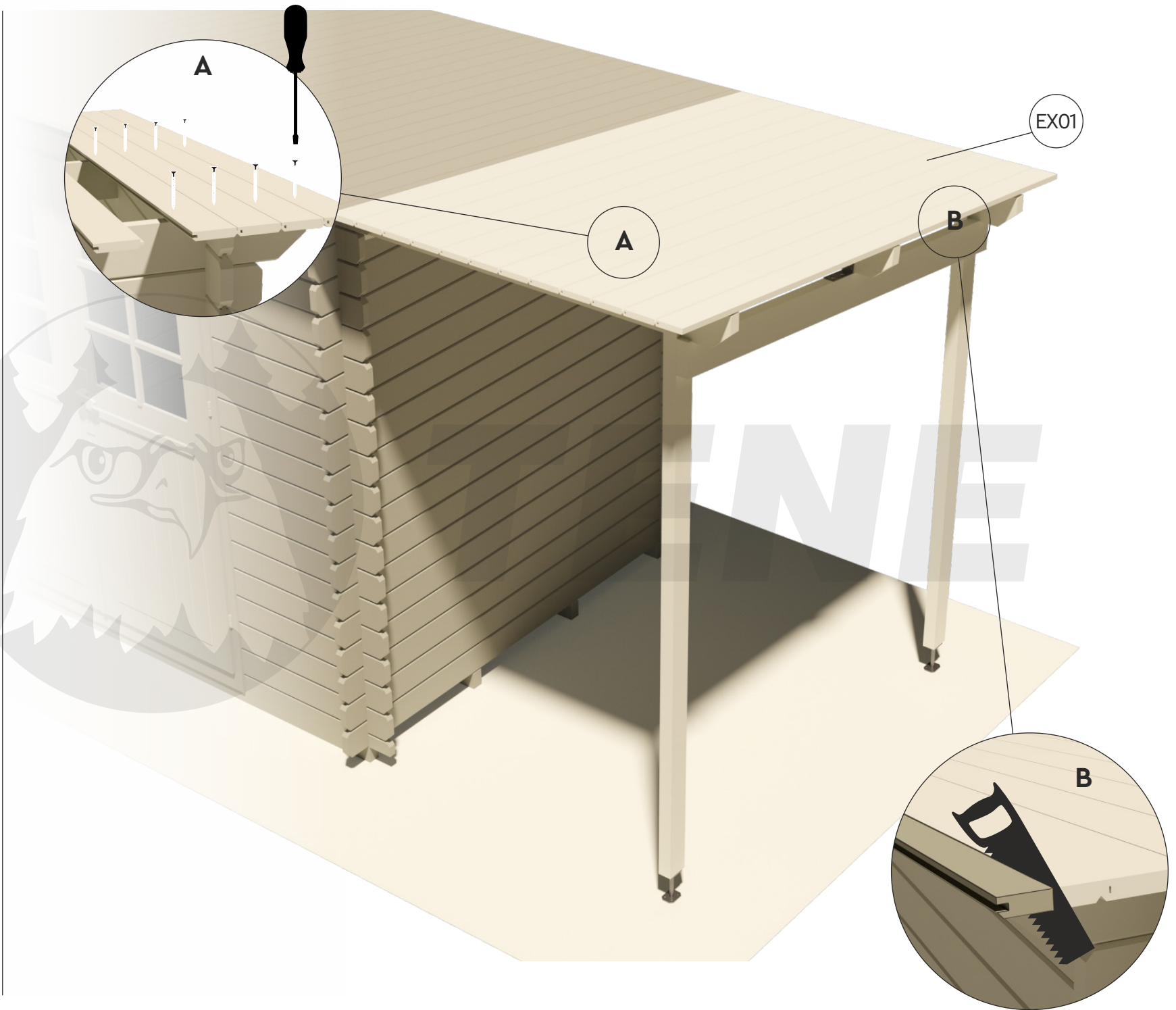
GLORIA SD150



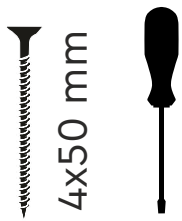
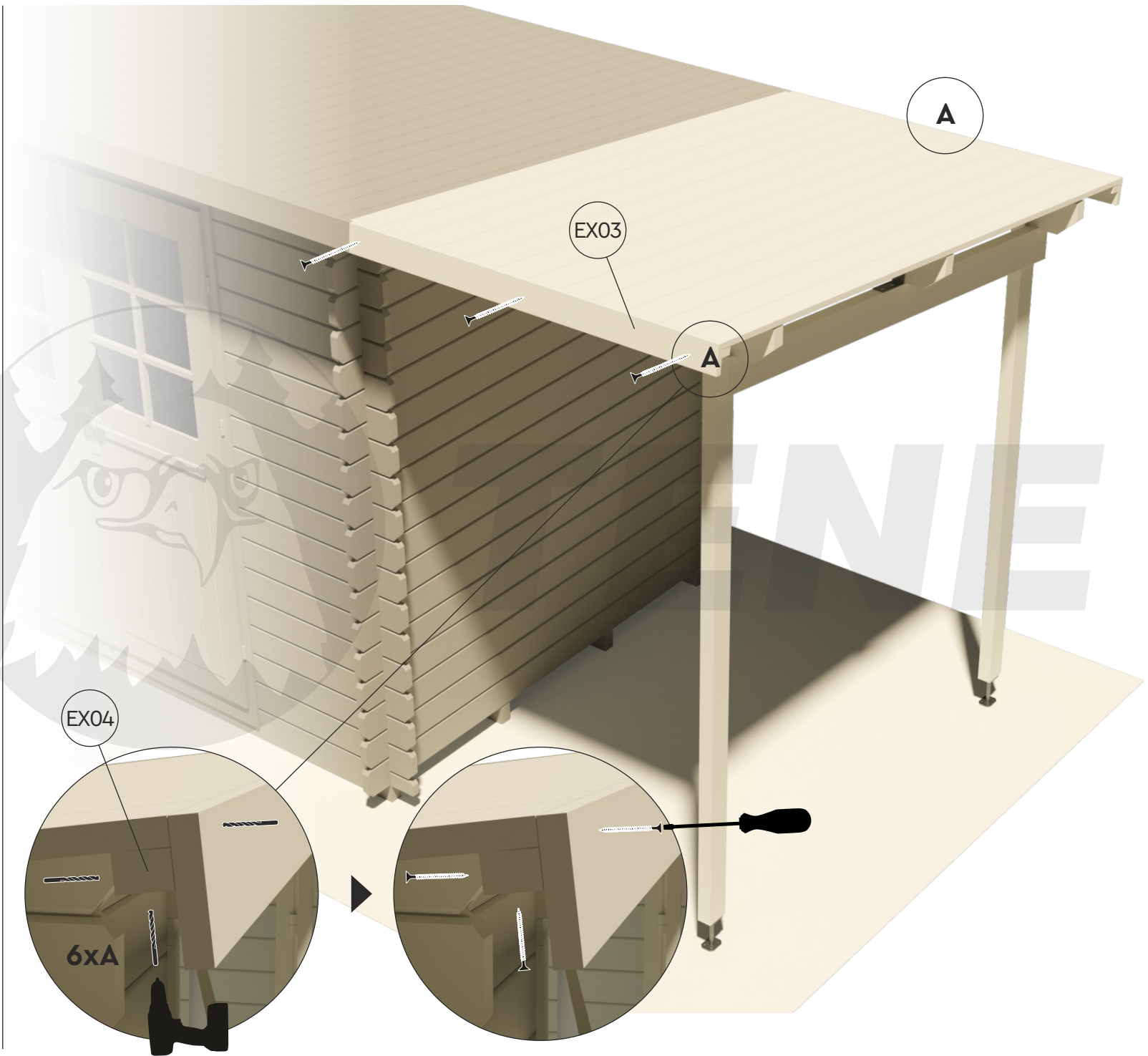
Ø 3 mm



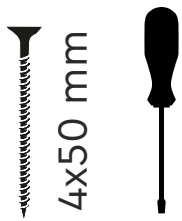
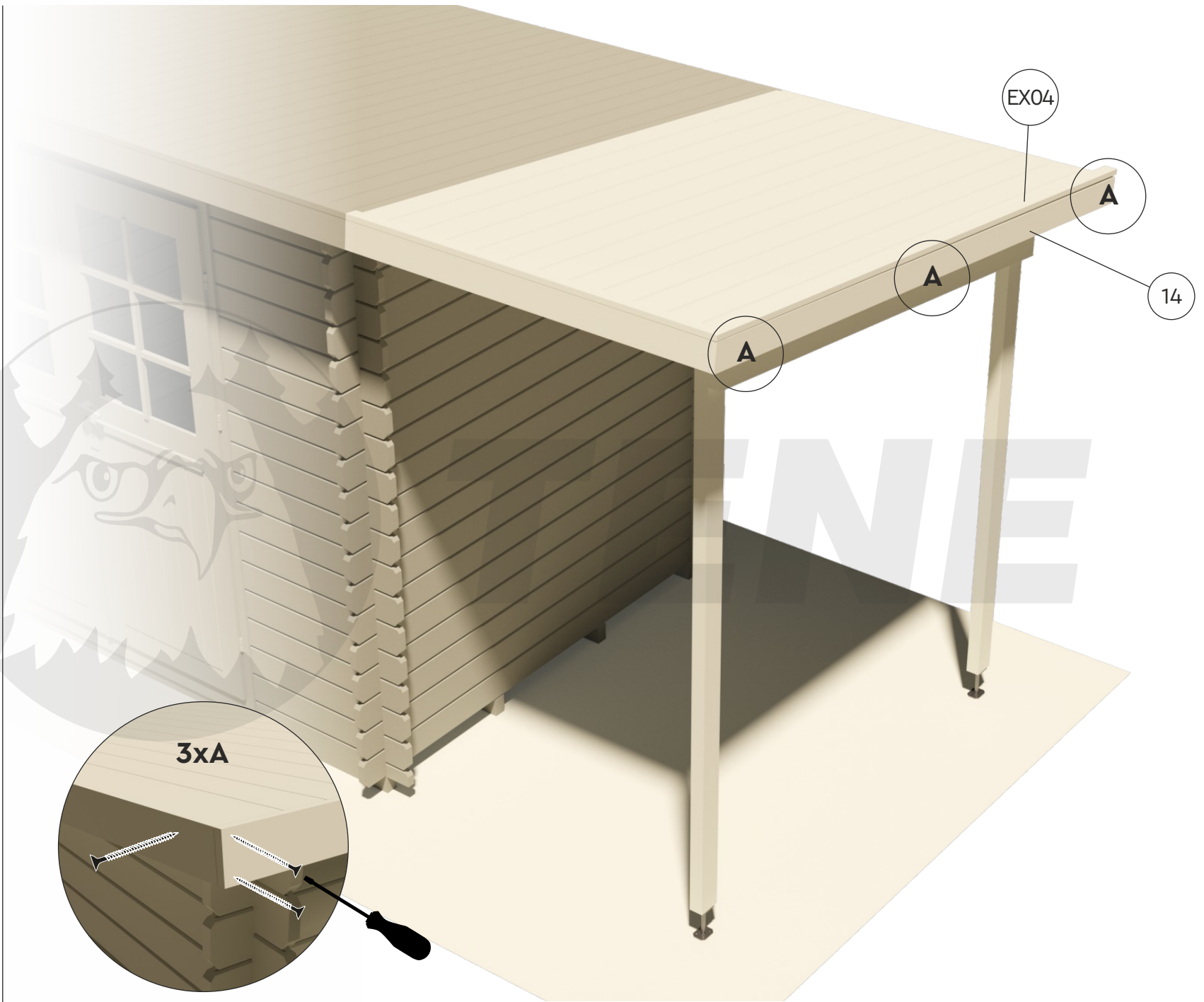
4x50 mm



GLORIA SD150



GLORIA SD150



GLORIA SD150

