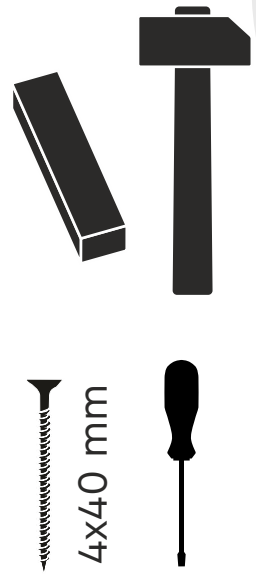
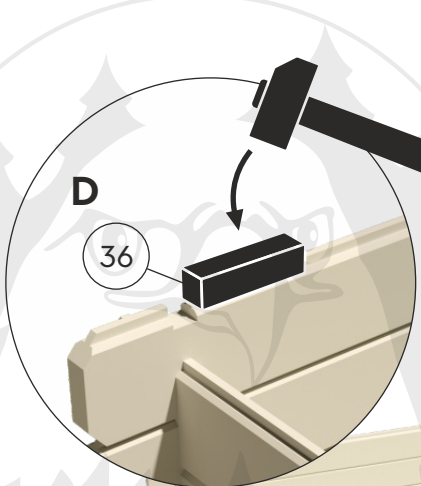
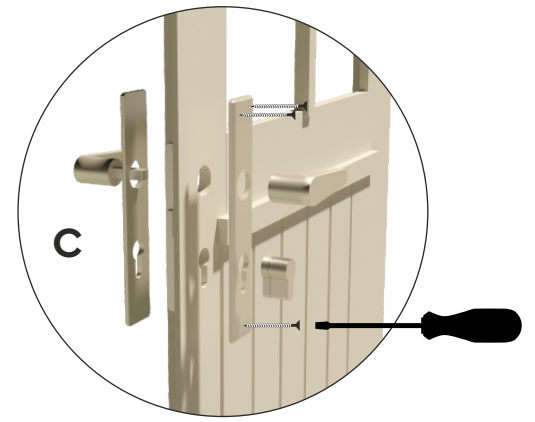
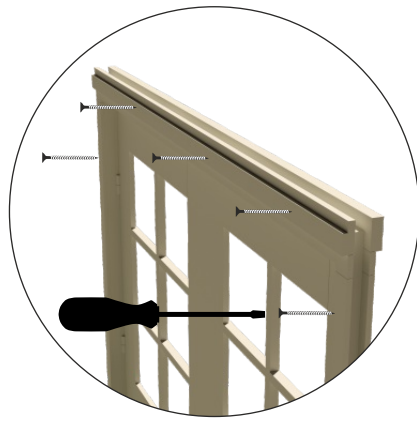
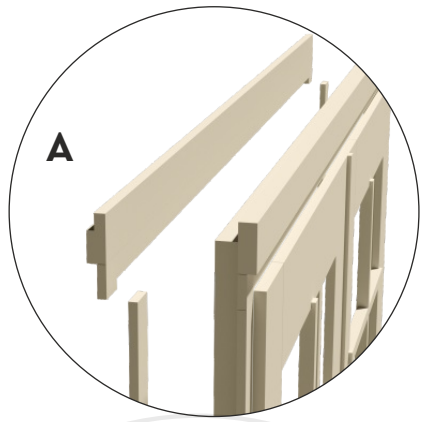
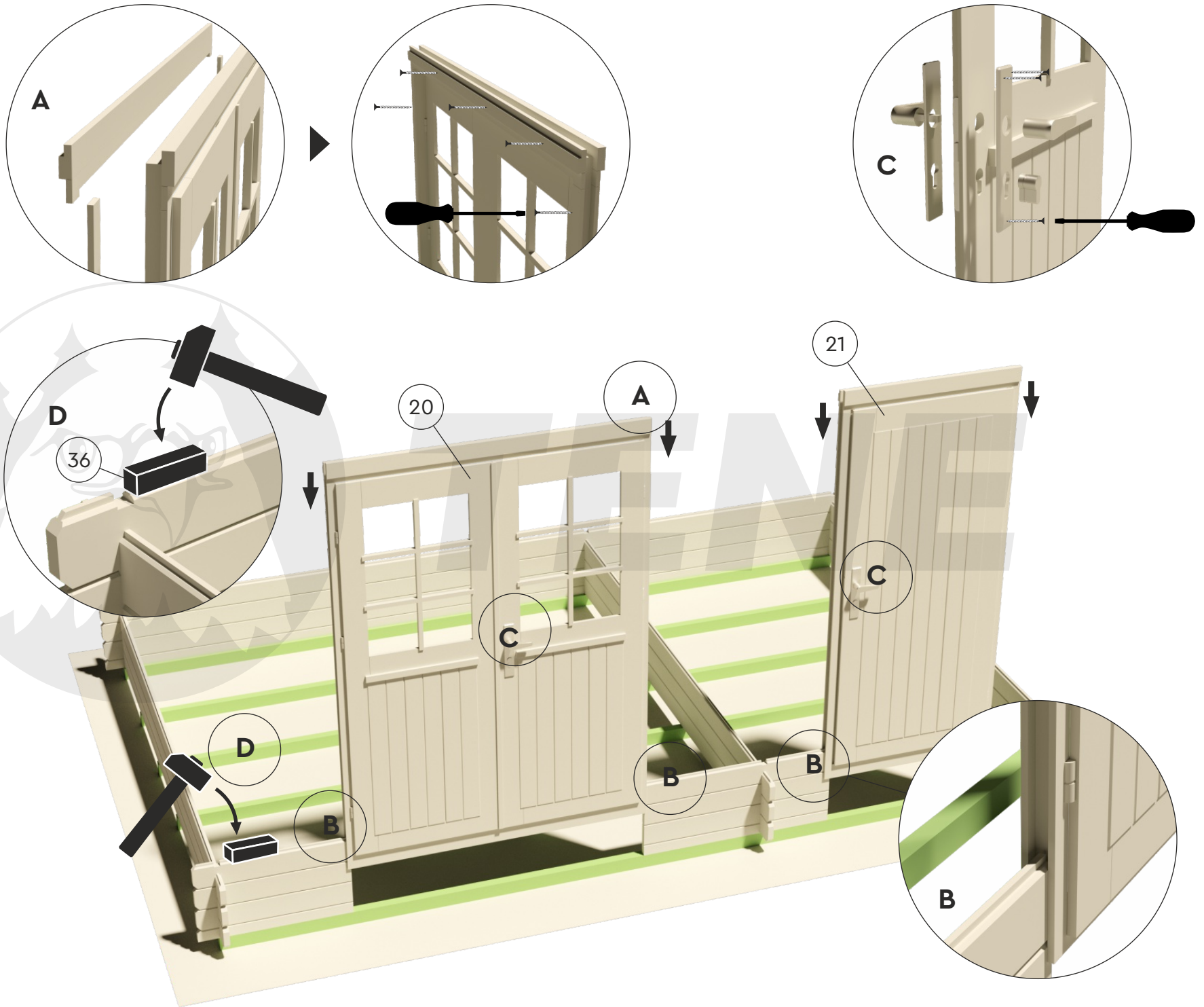
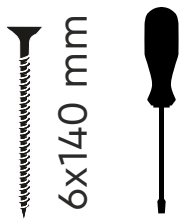
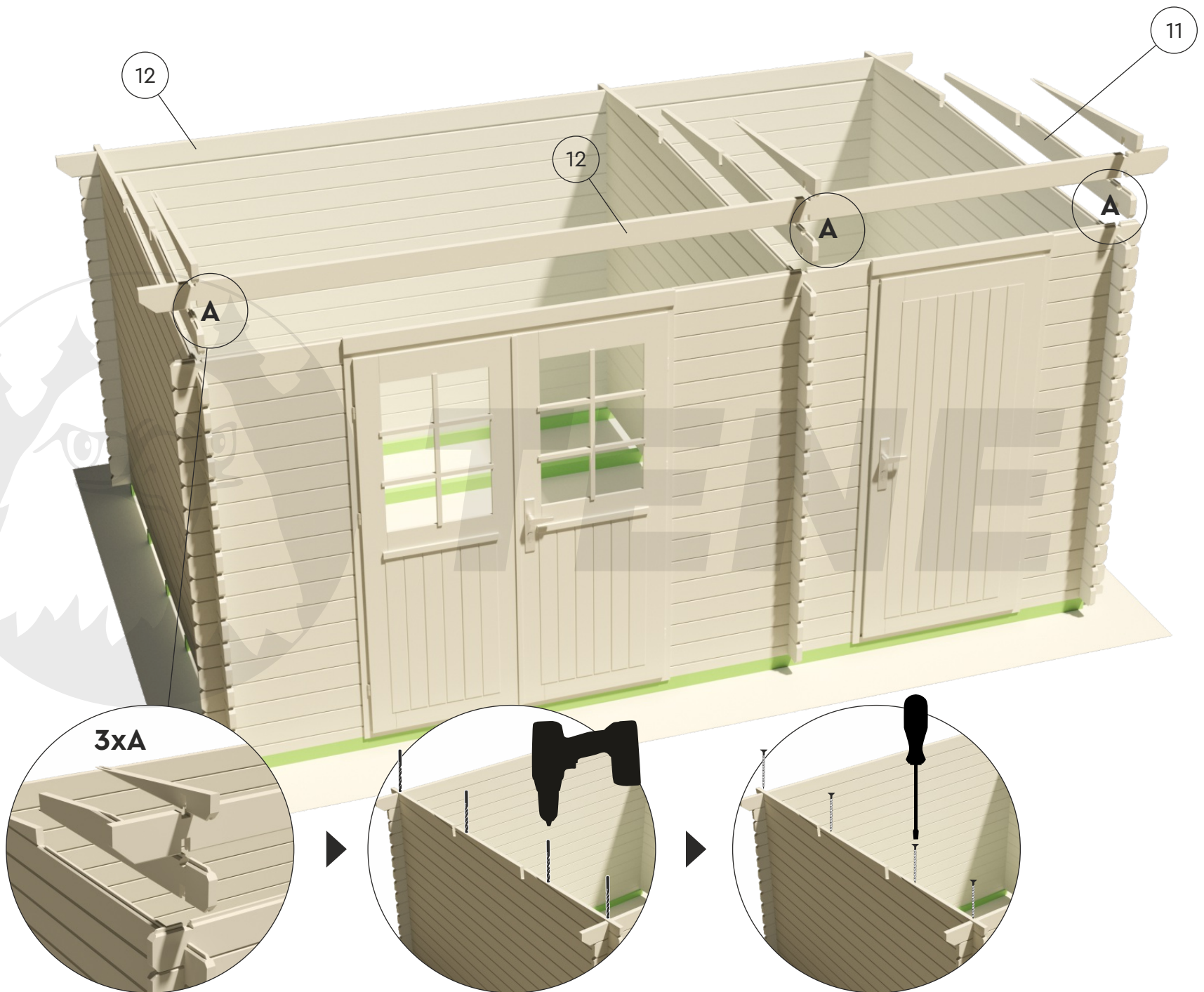


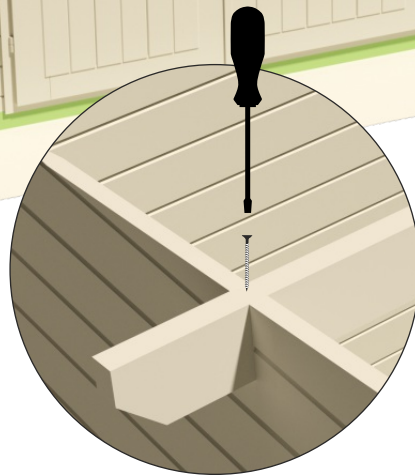
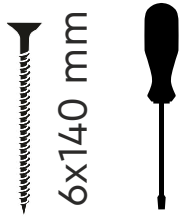
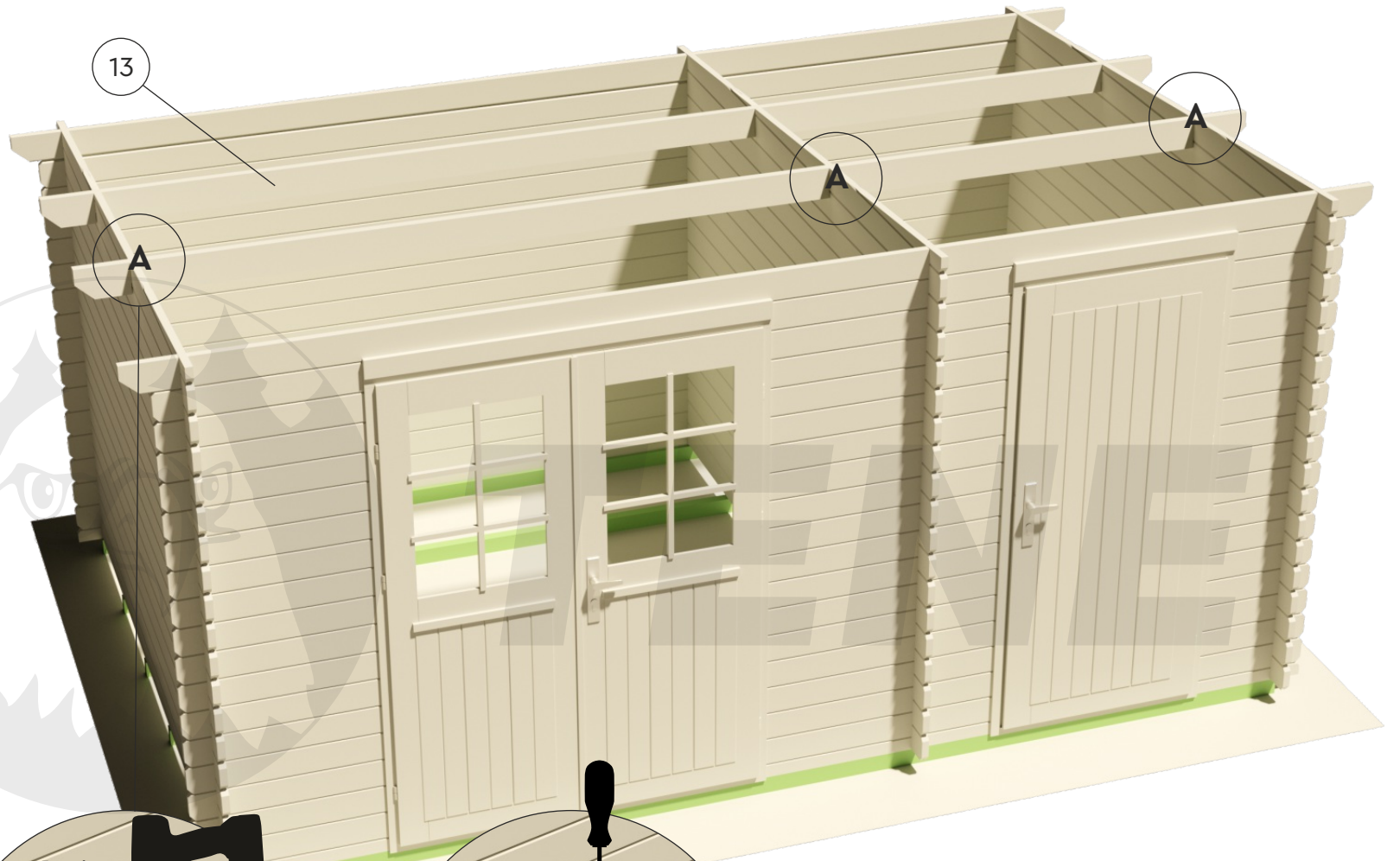
GLORIA H



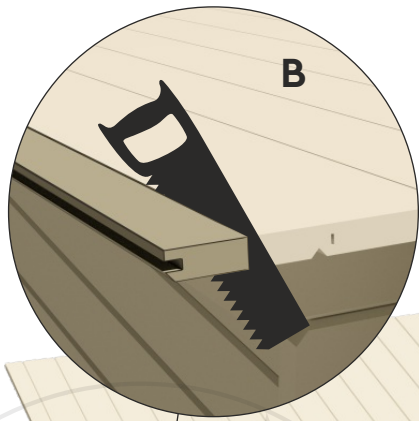
GLORIA H



GLORIA H



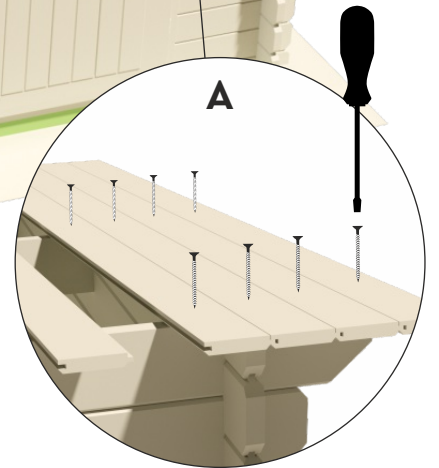
GLORIA H



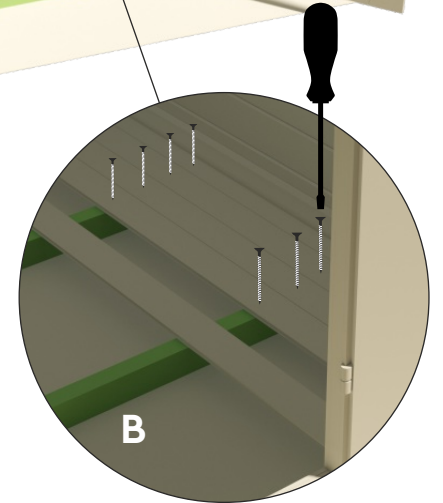
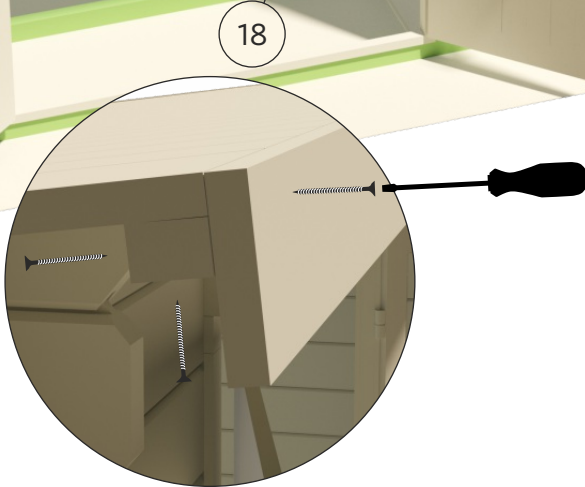
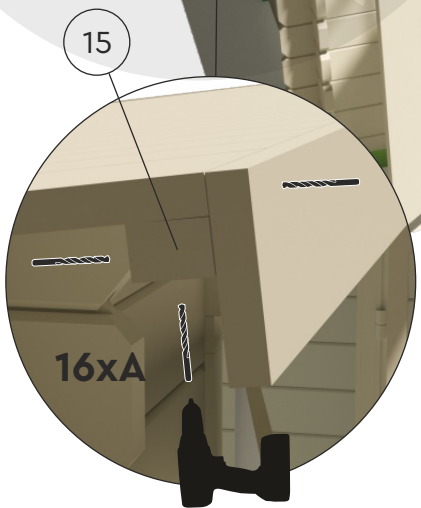
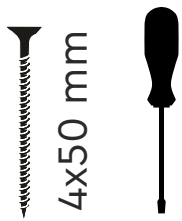
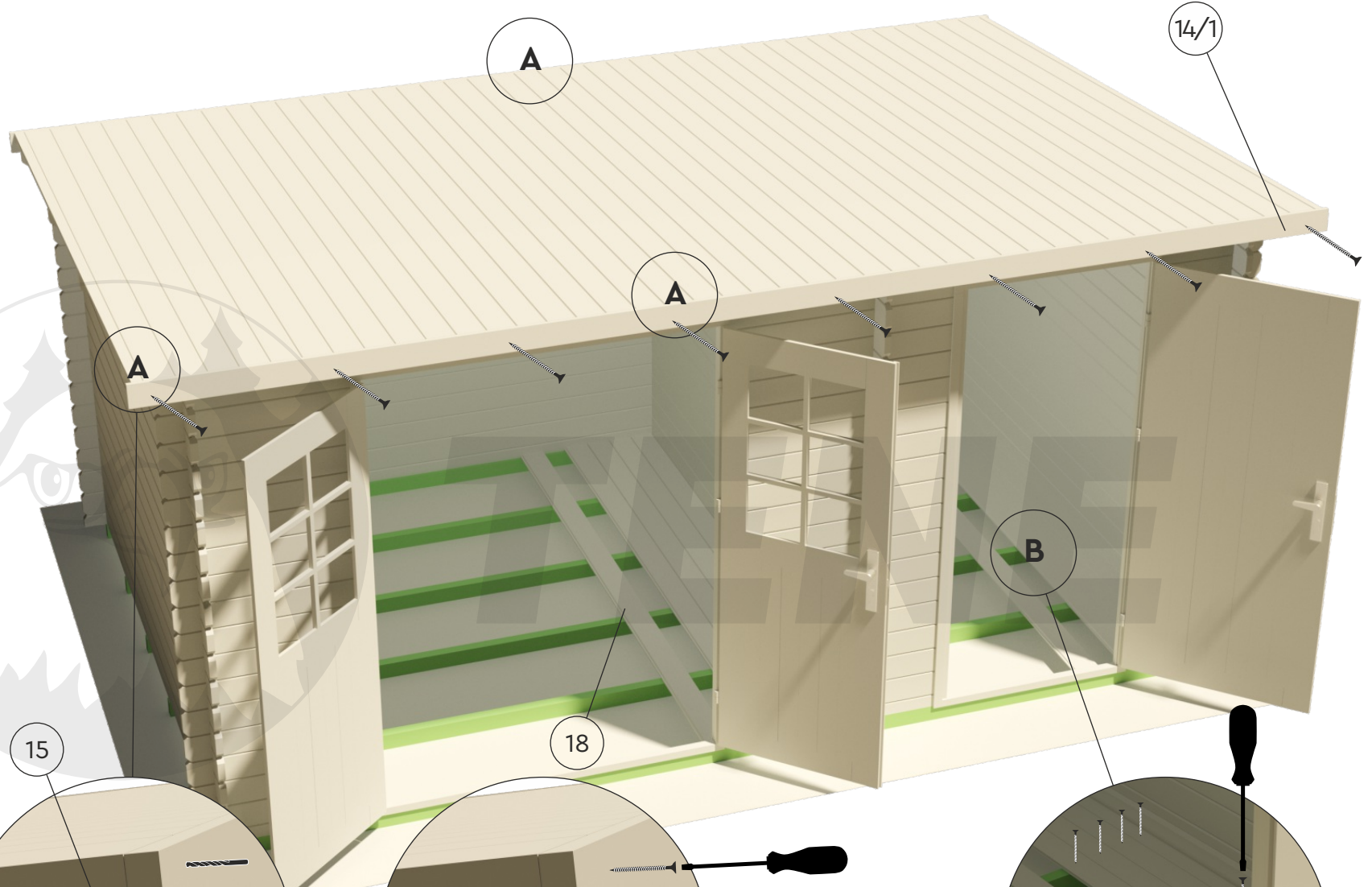
17

A

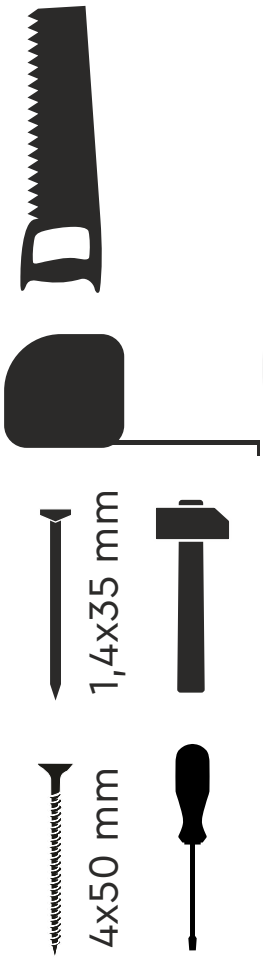
B



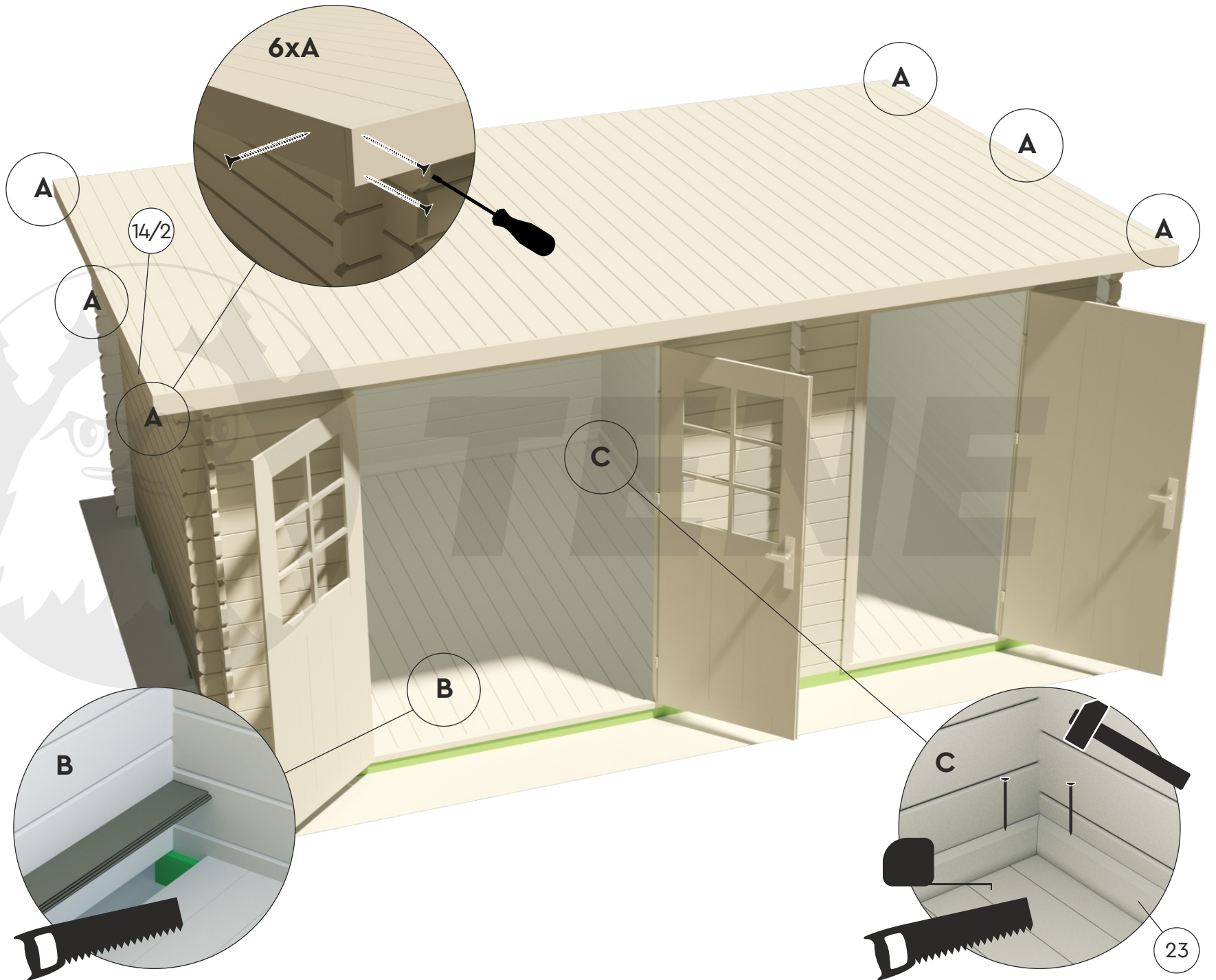
GLORIA H



GLORIA H

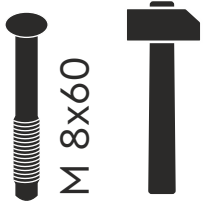
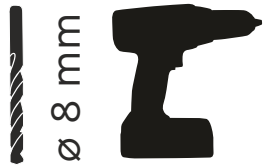
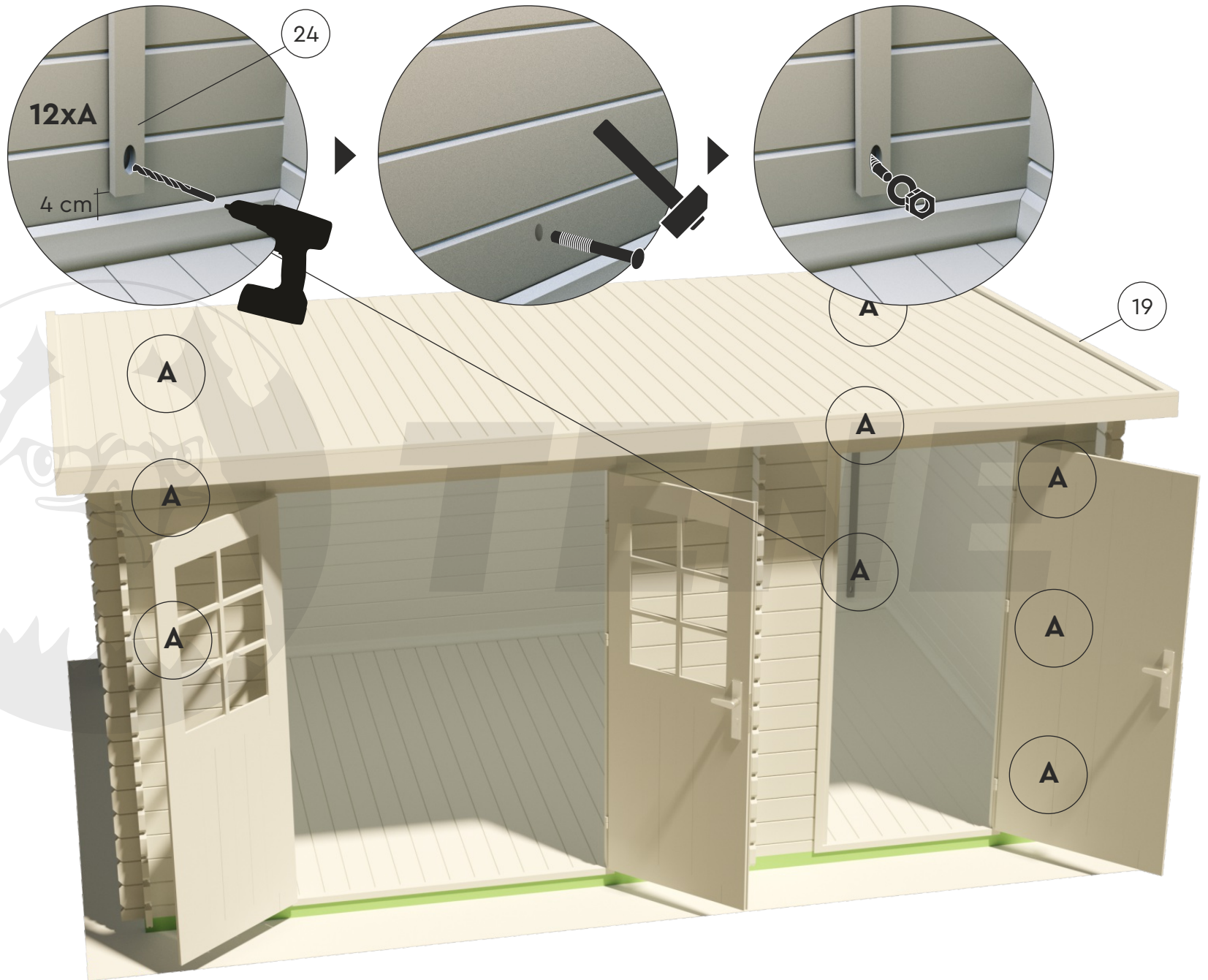


10/12

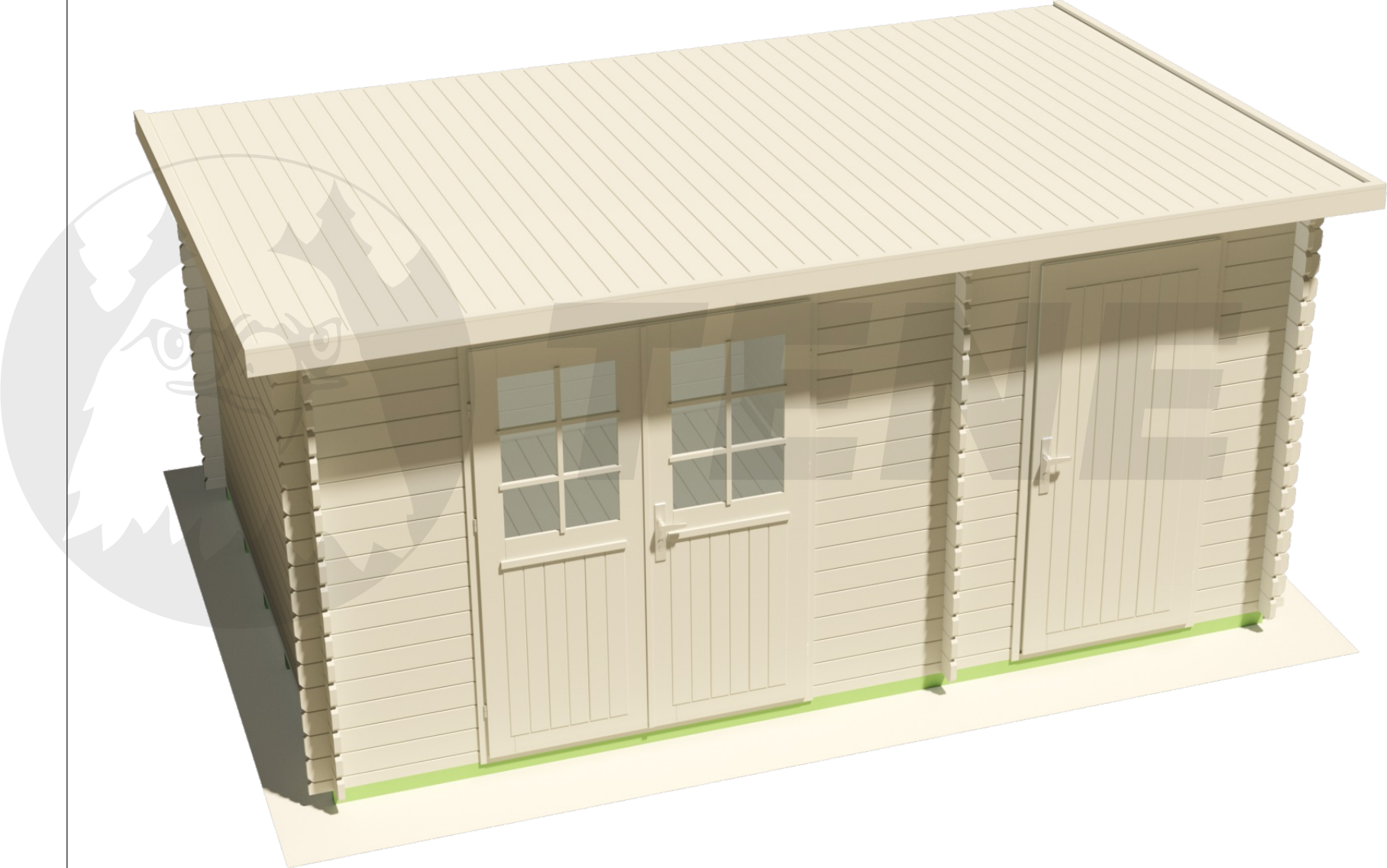


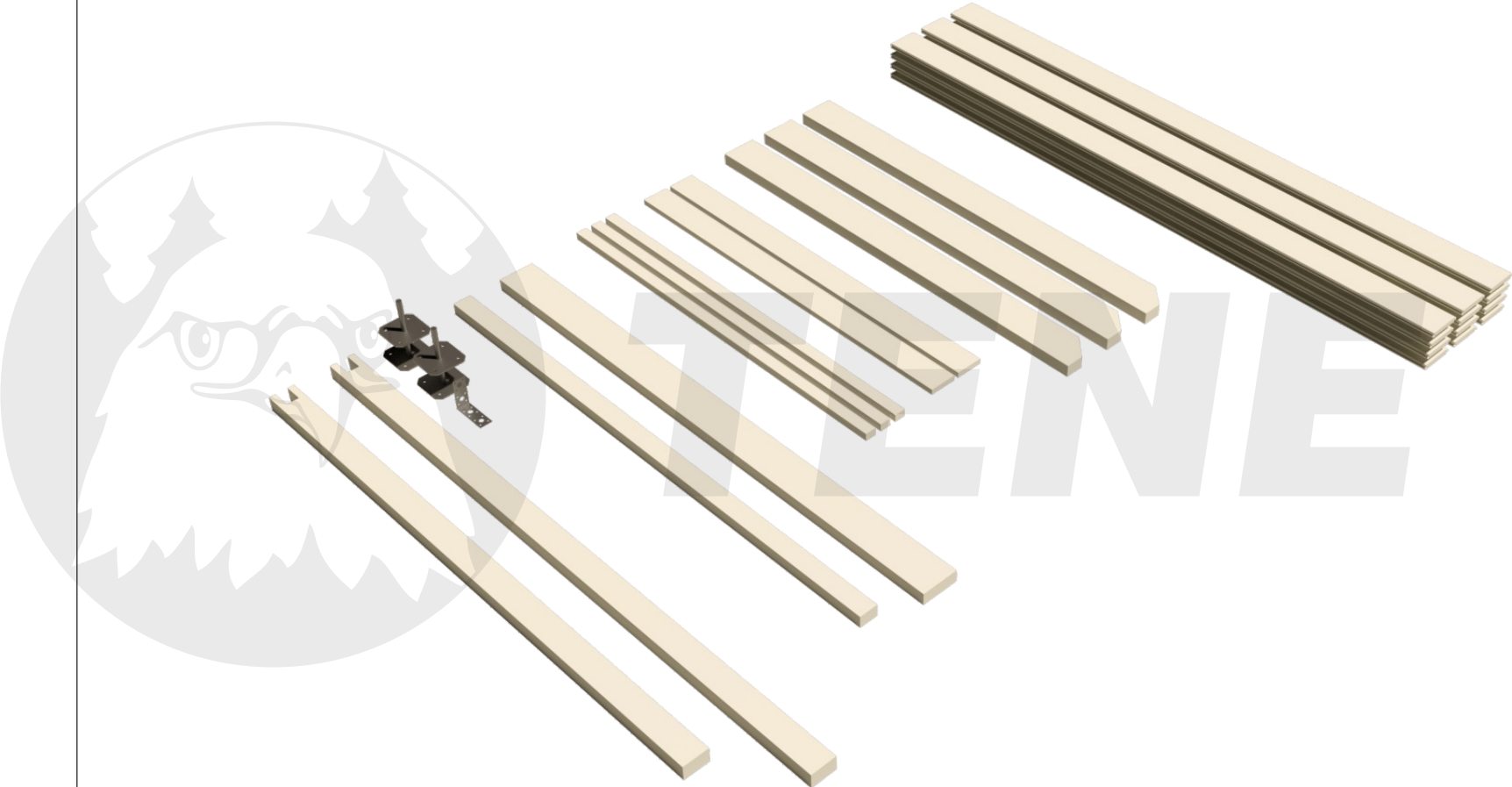
23

GLORIA H

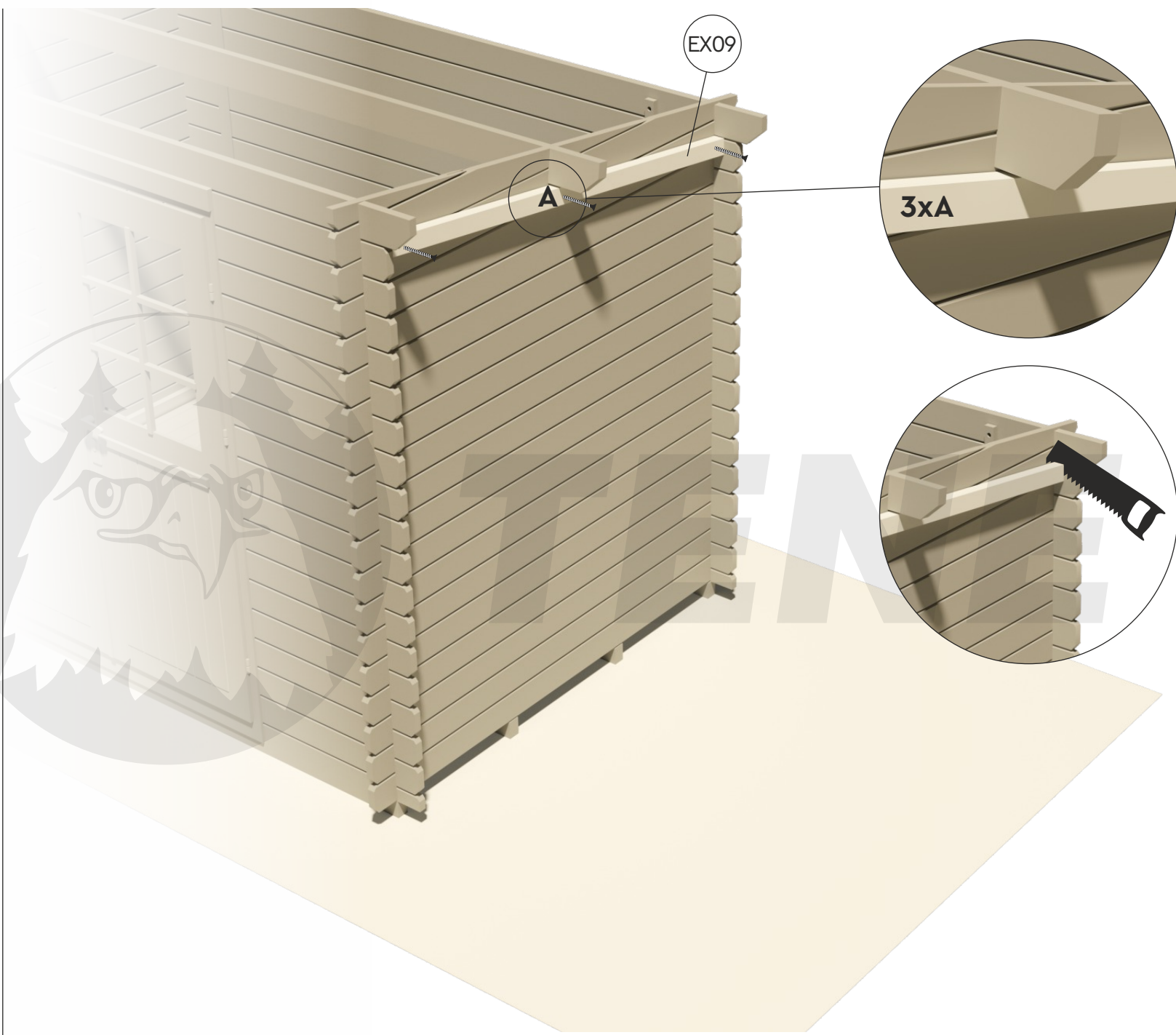


GLORIA H





GLORIA SD150



GLORIA SD150



Ø 4 mm



Ø 3 mm



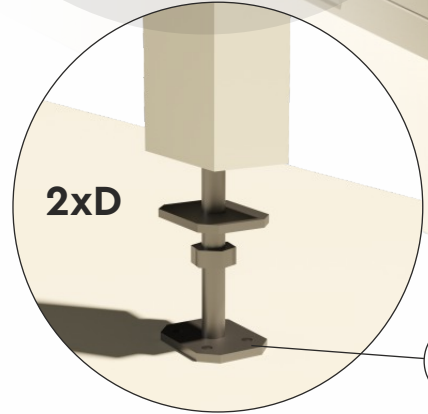
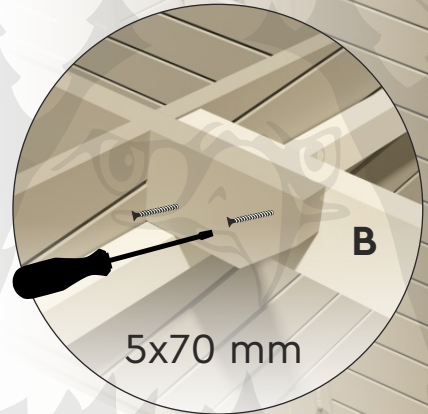
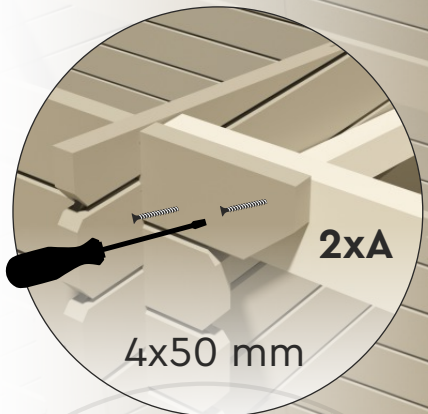
5x70 mm



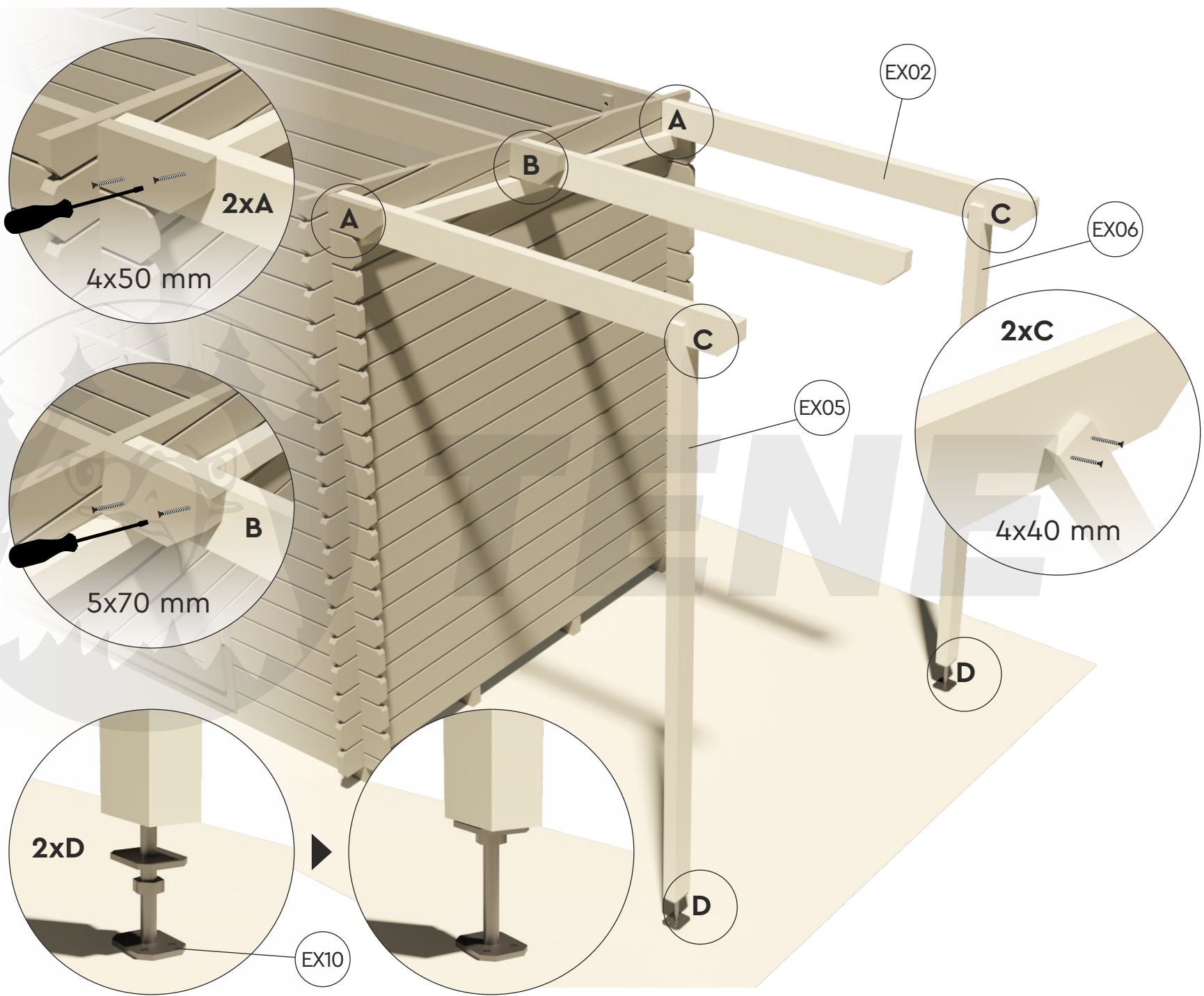
4x50 mm



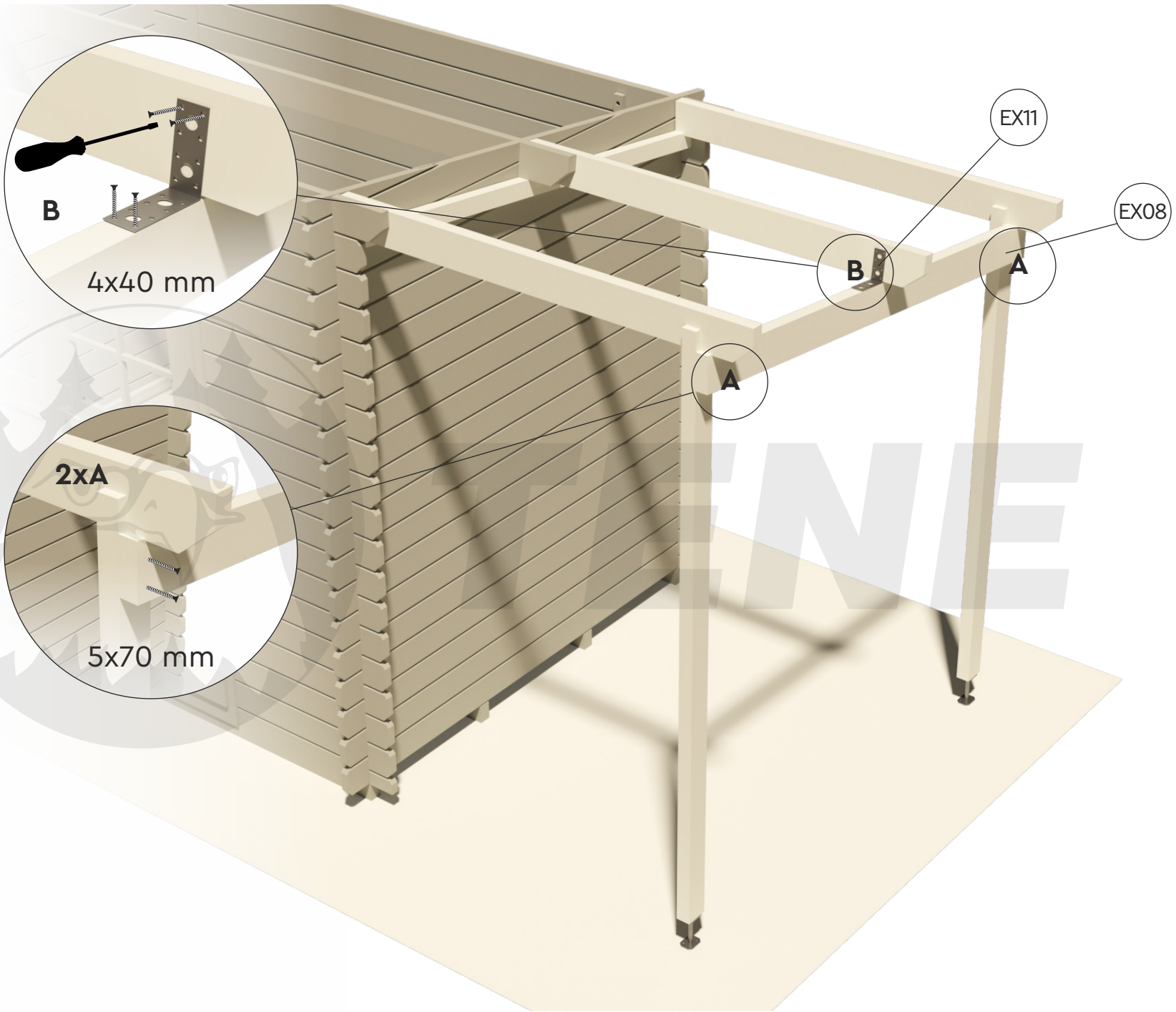
4x40 mm



EX10



GLORIA SD150



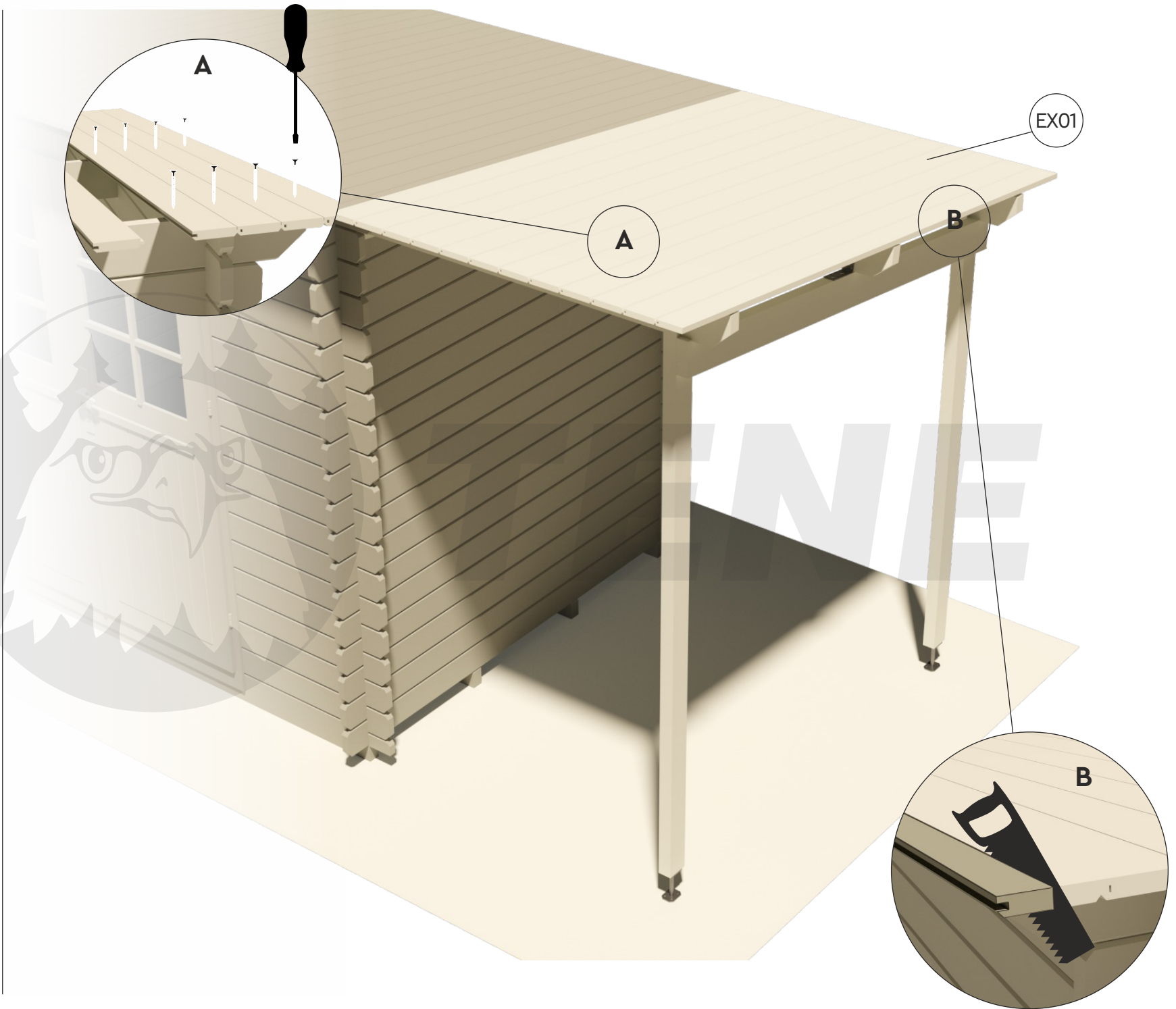
GLORIA SD150



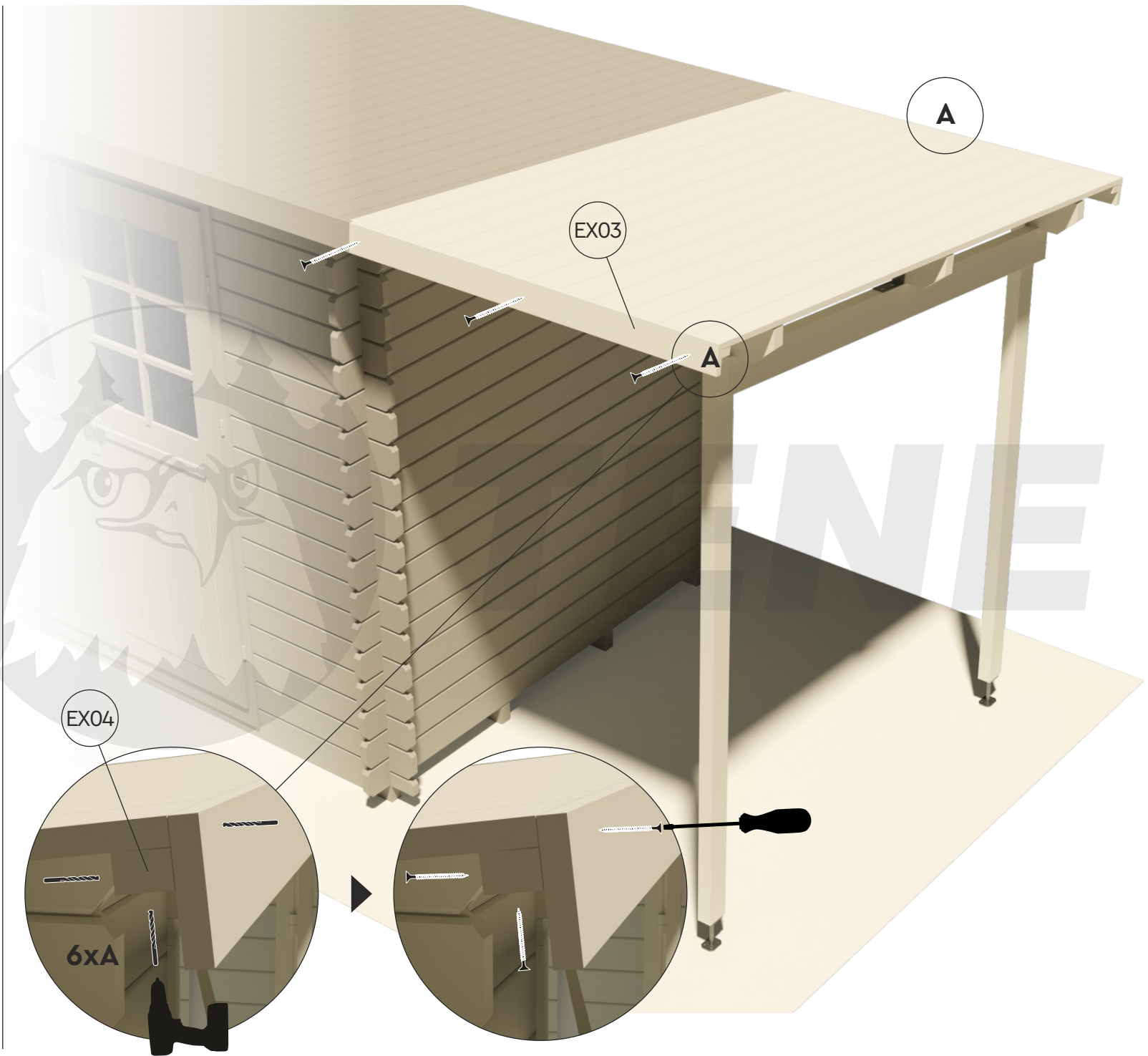
Ø 3 mm



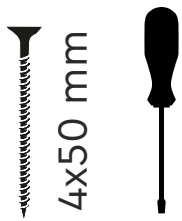
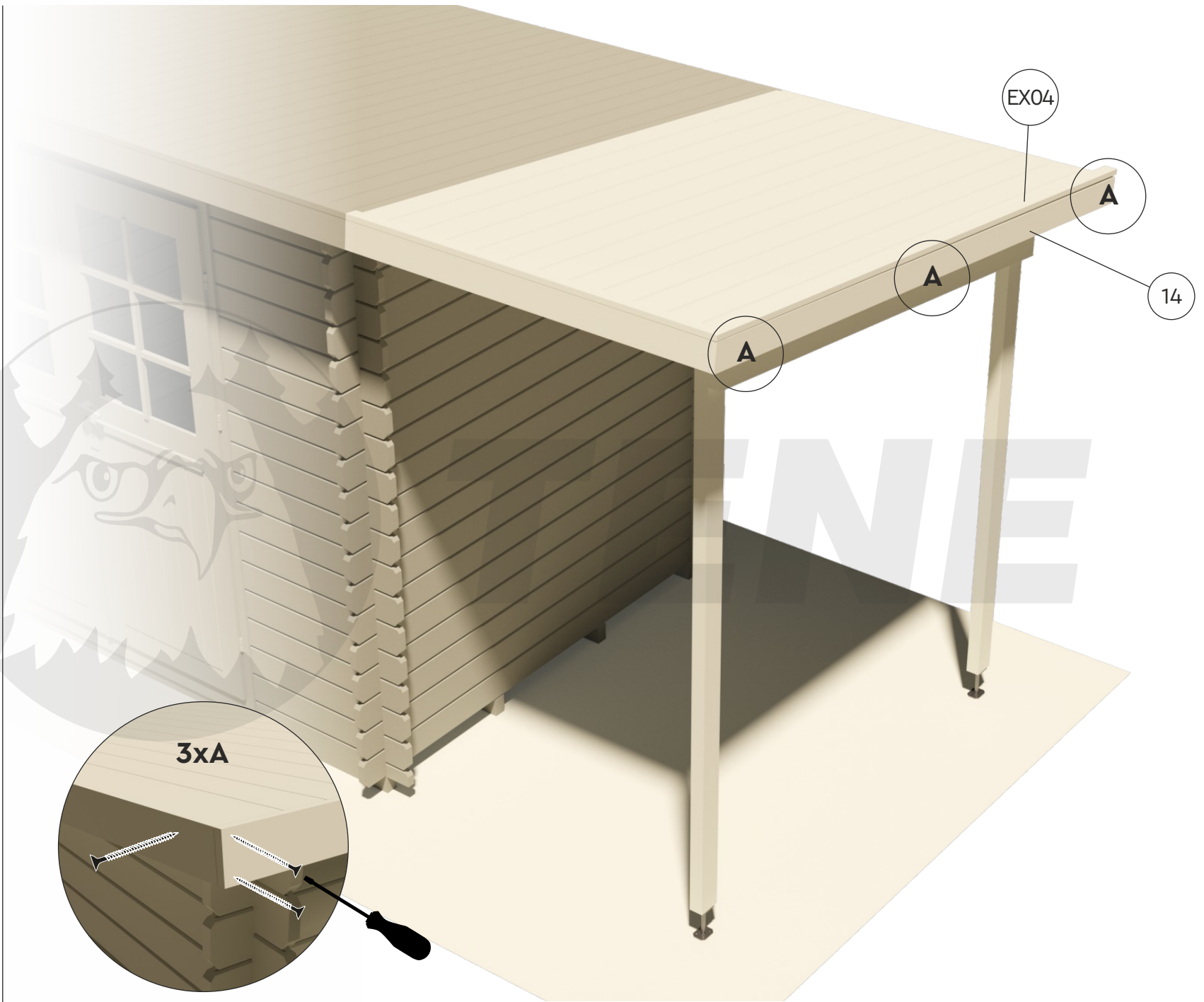
4x50 mm



GLORIA SD150



GLORIA SD150



GLORIA SD150

