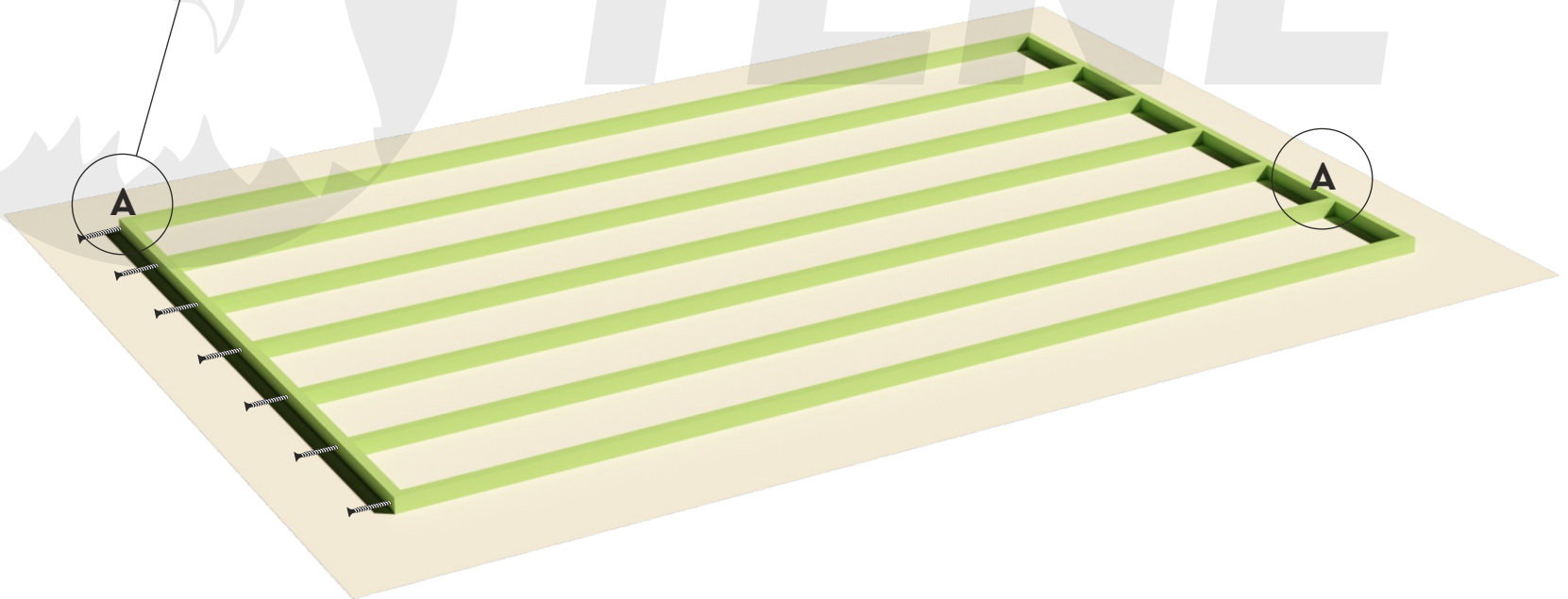
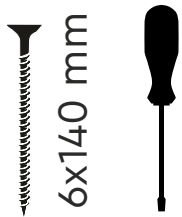
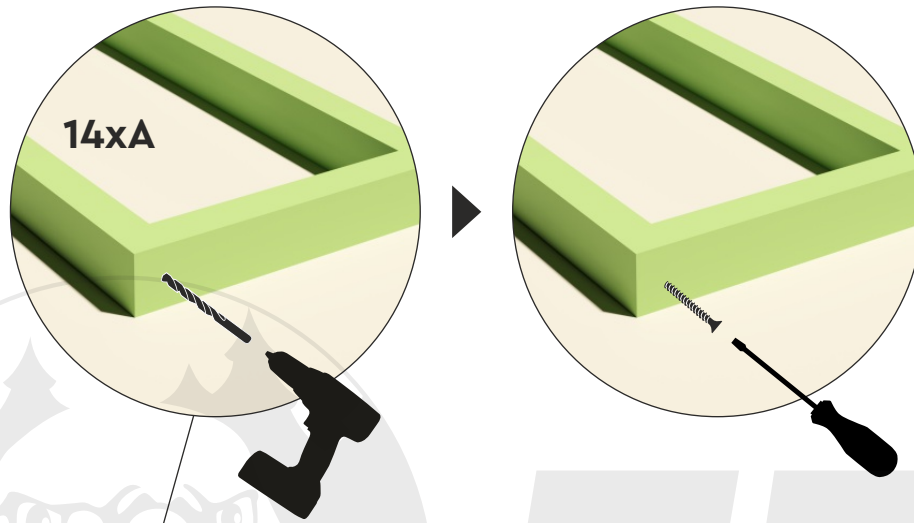
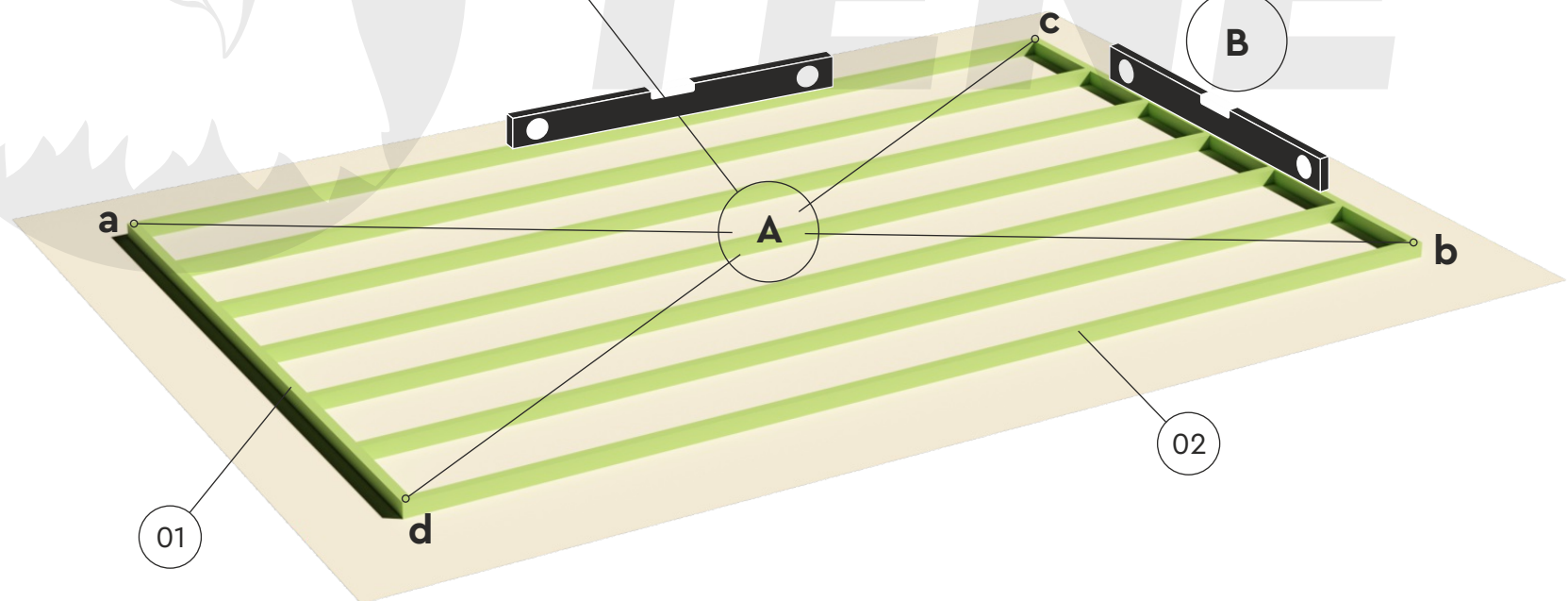
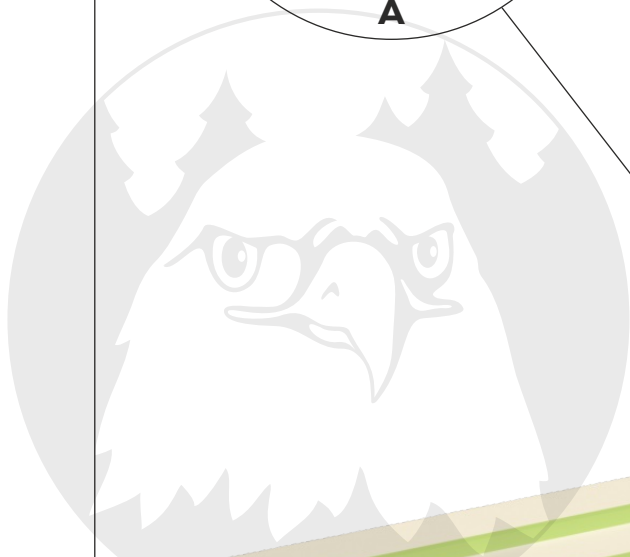
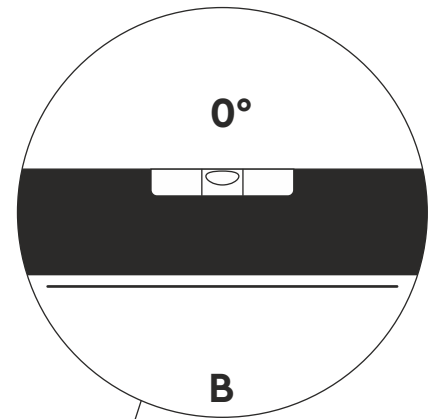
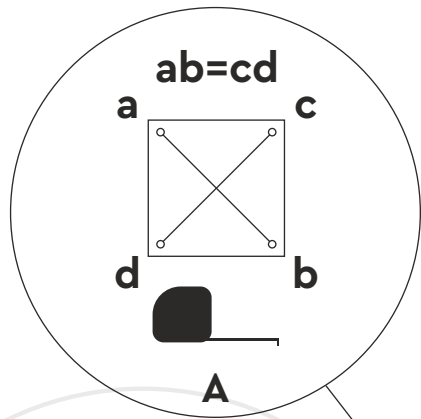


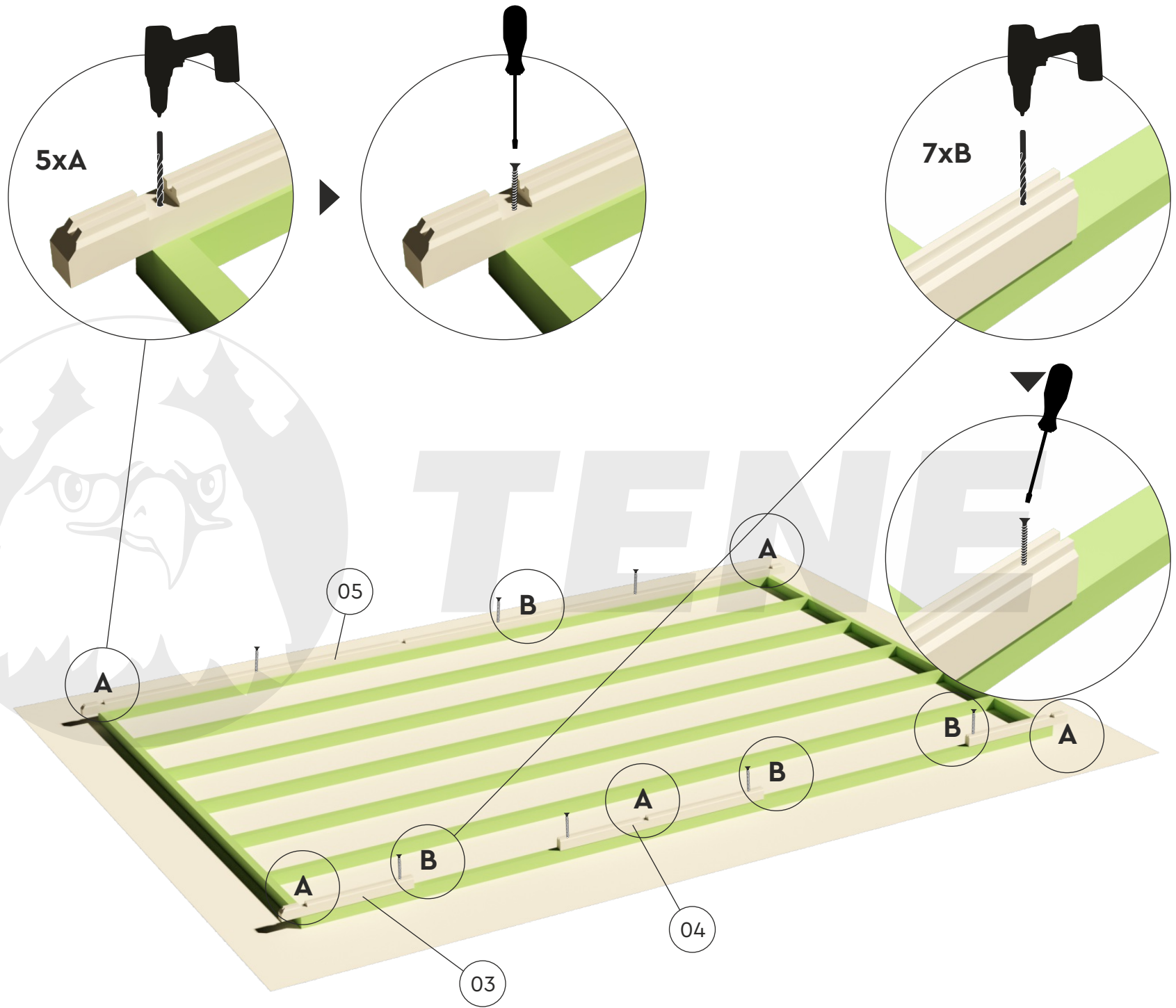
KARMEN 40



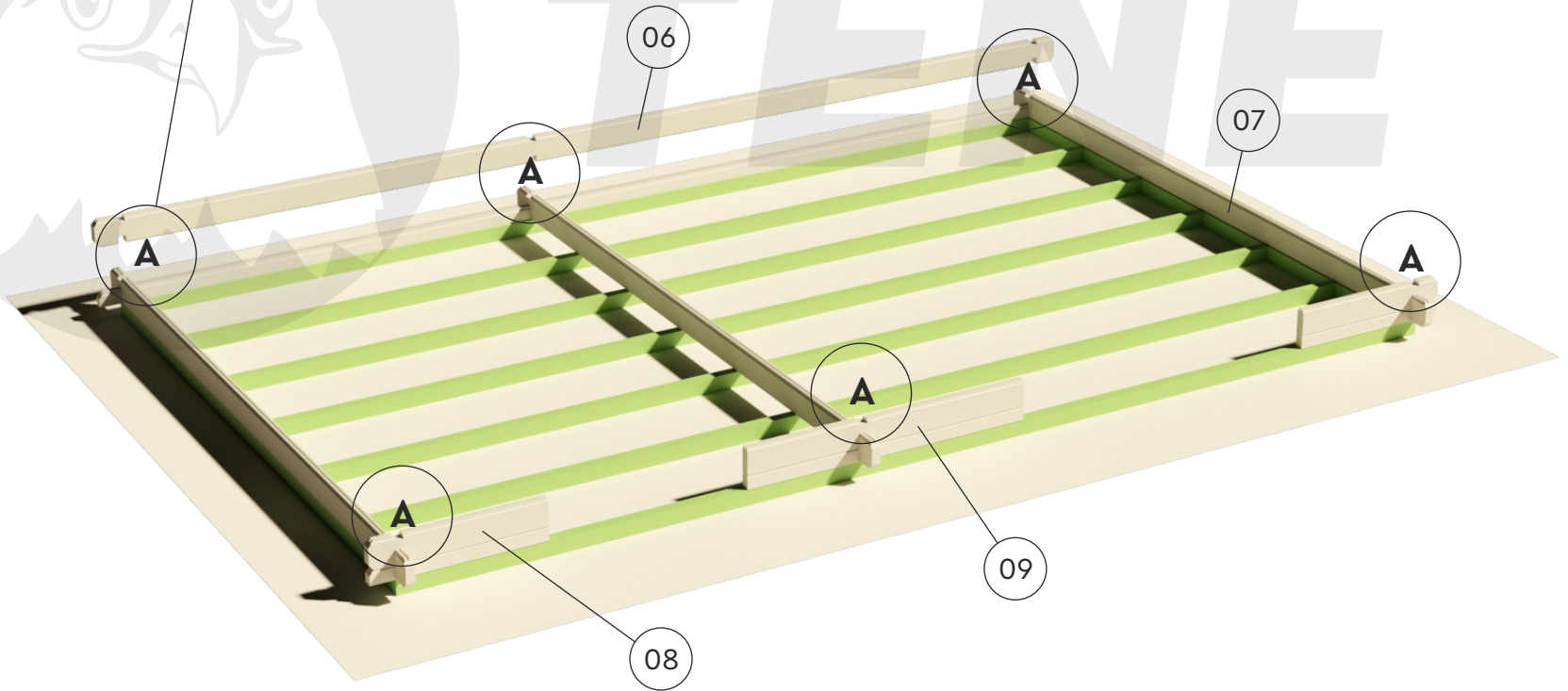
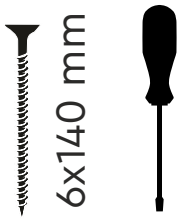
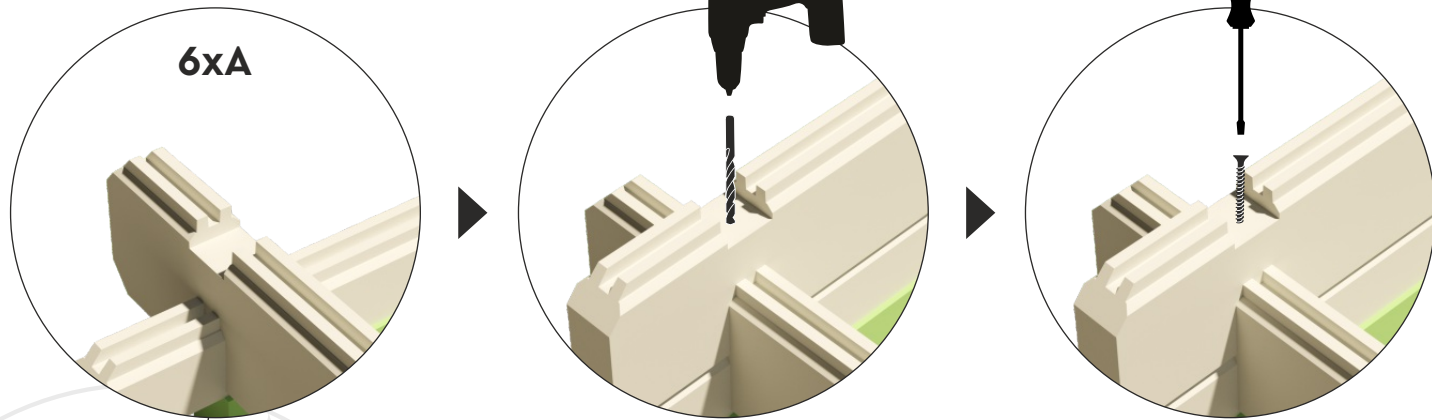
KARMEN 40



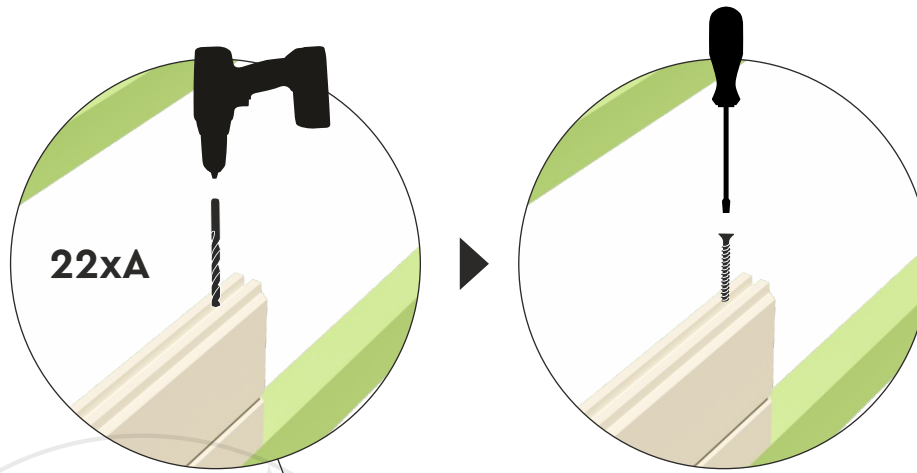
KARMEN 40



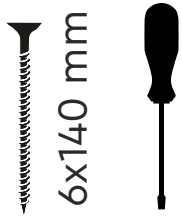
KARMEN 40



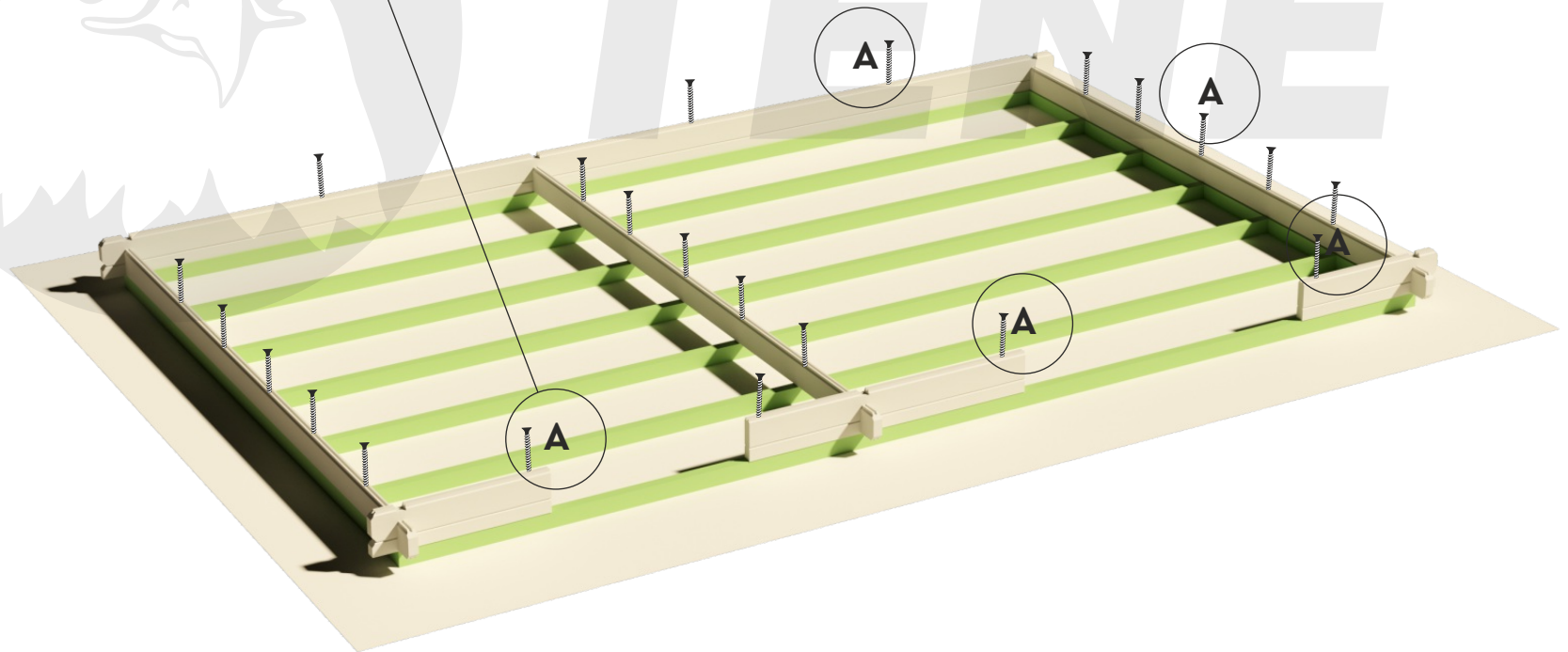
KARMEN 40



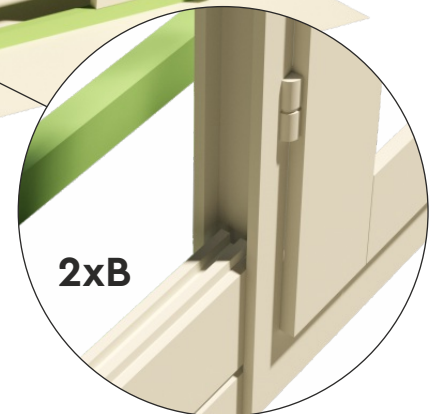
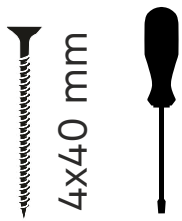
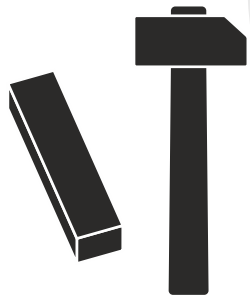
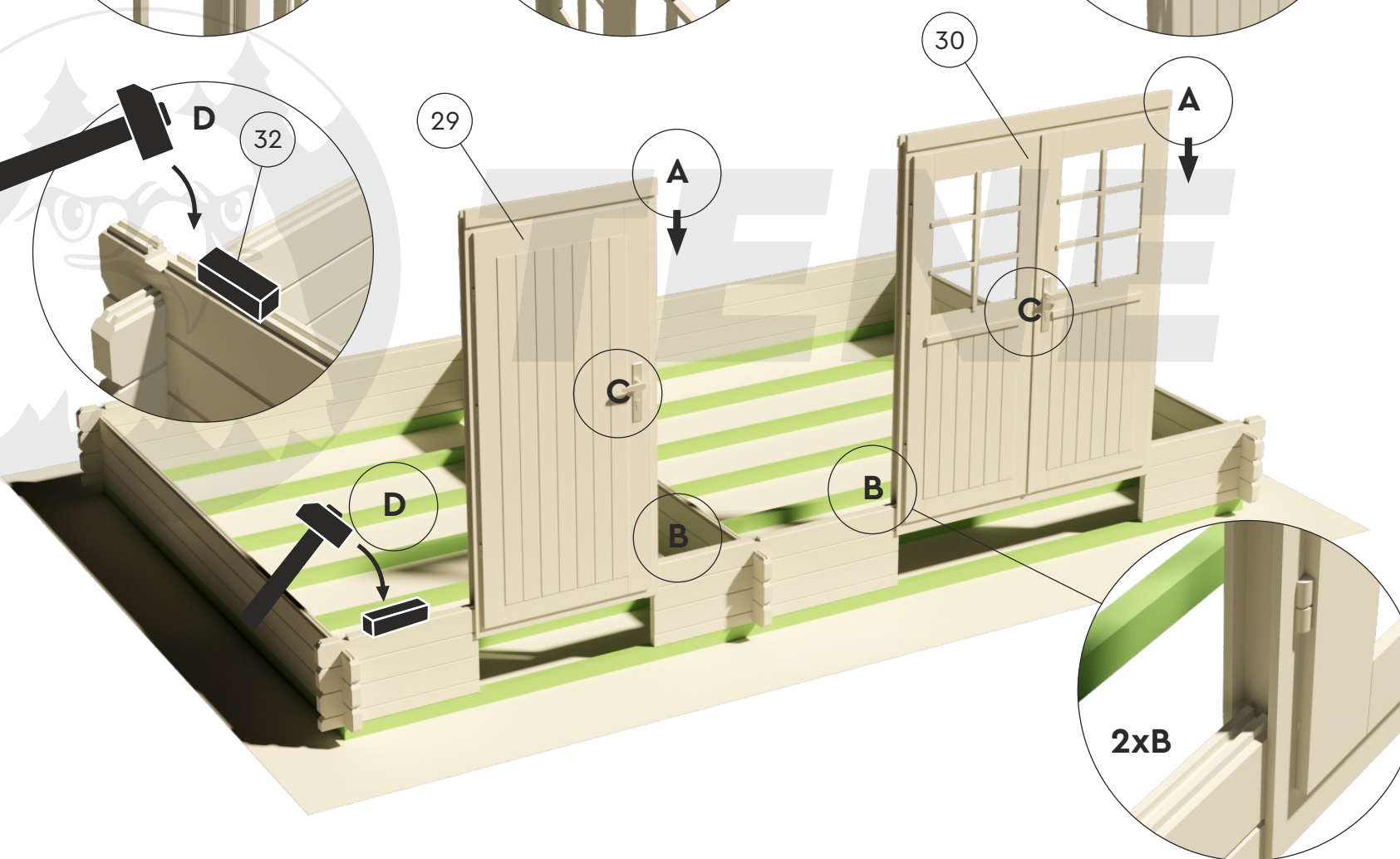
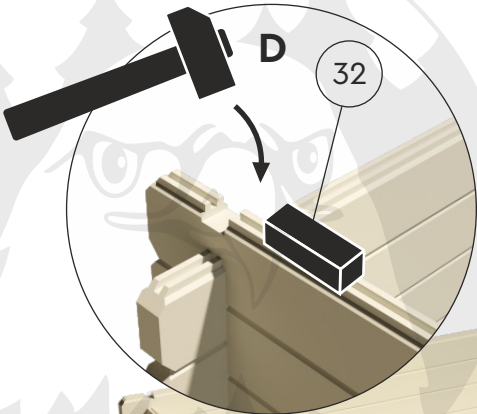
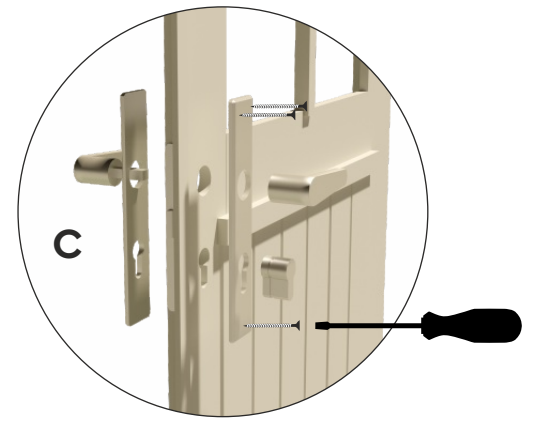
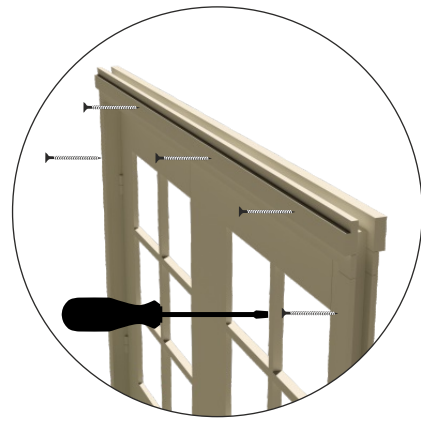
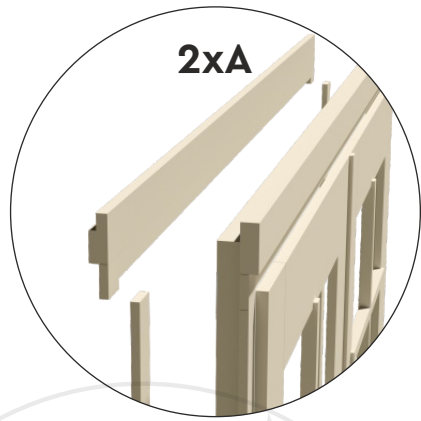
Ø 5 mm



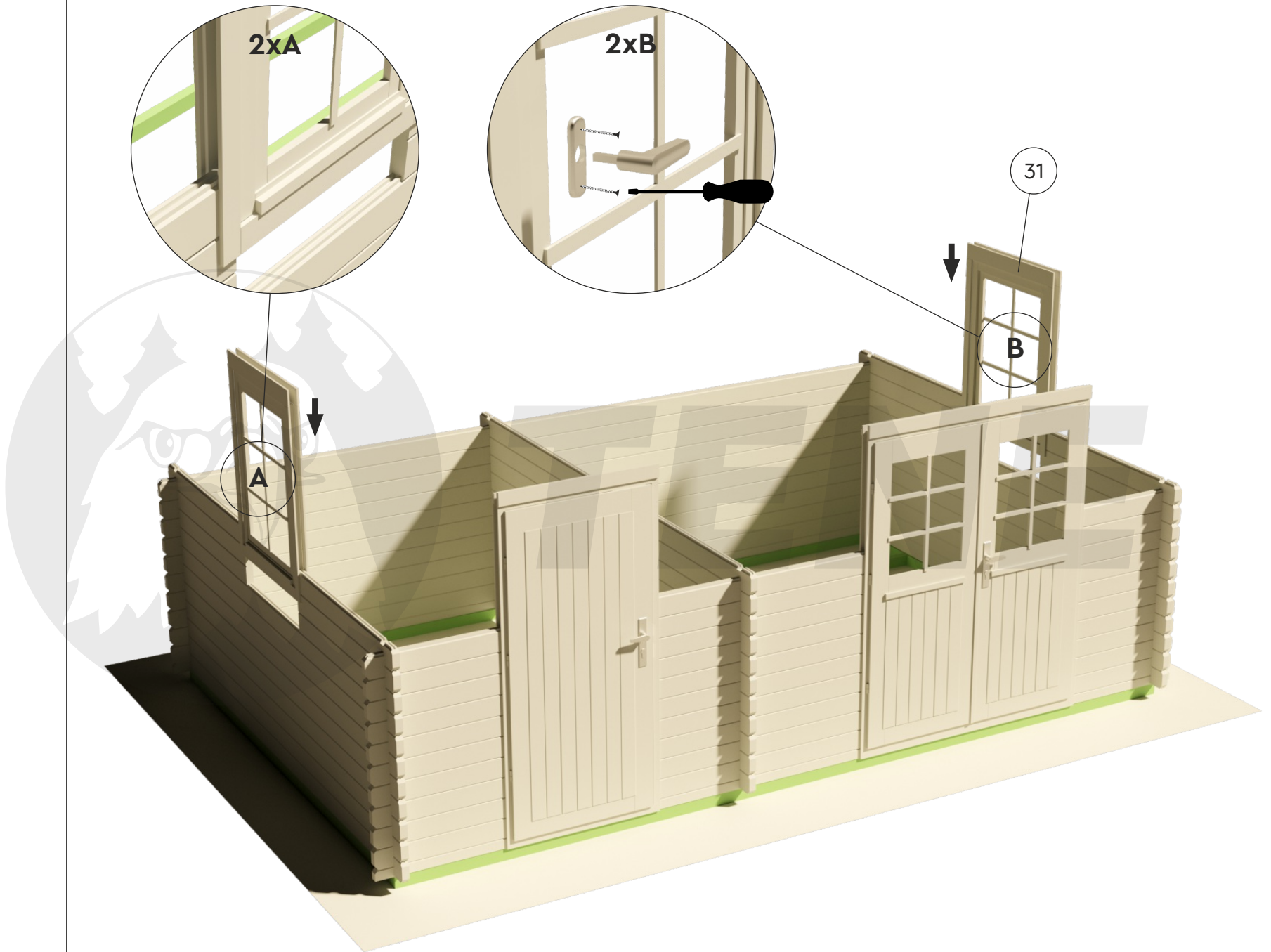
6x140 mm



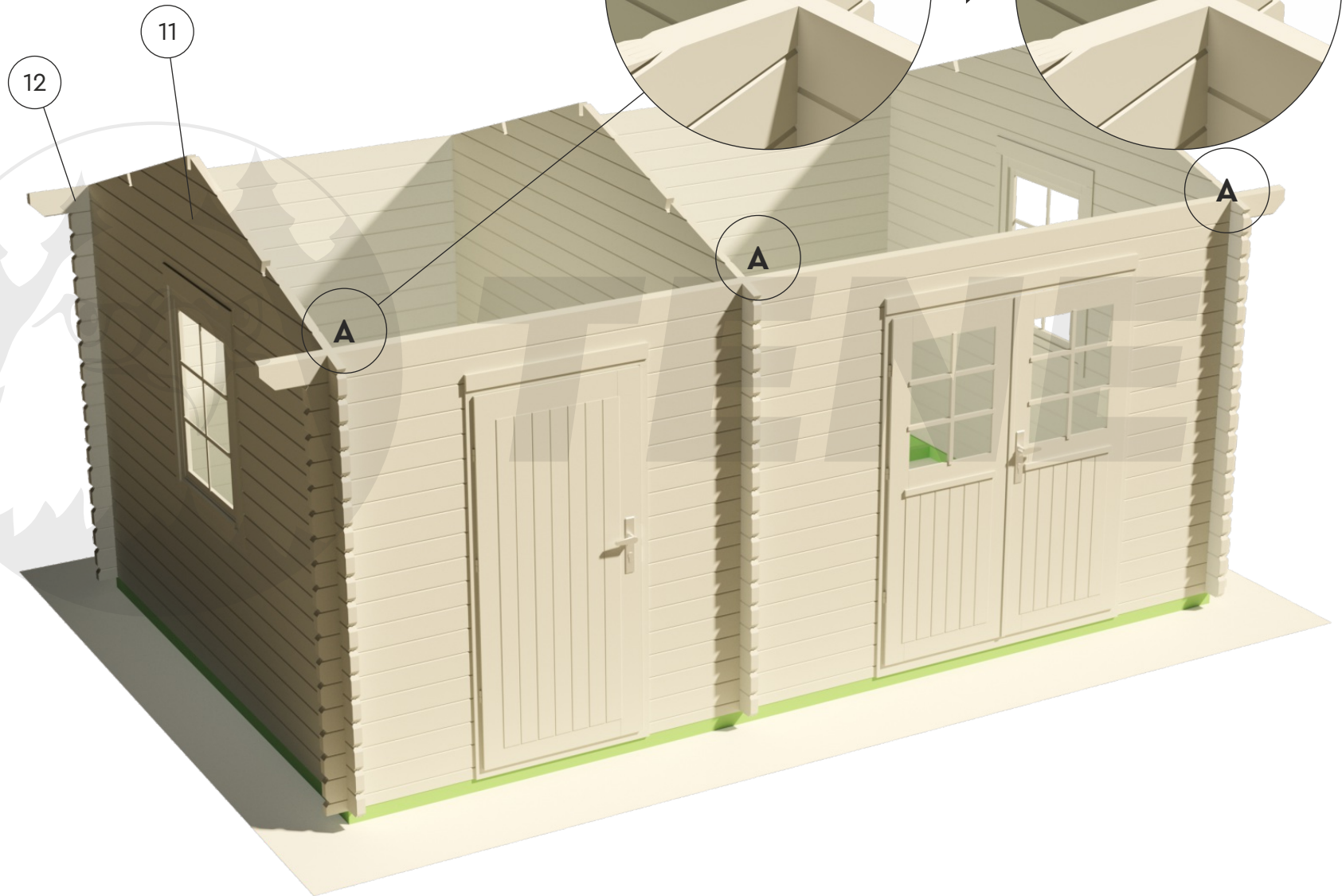
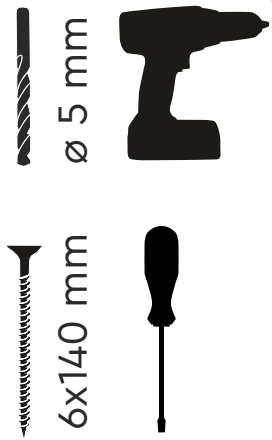
KARMEN 40



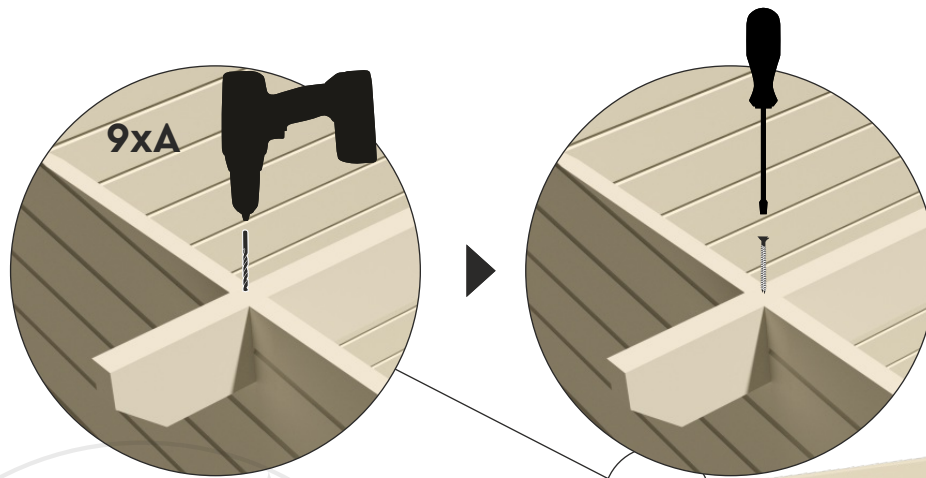
KARMEN 40



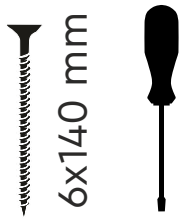
KARMEN 40



KARMEN 40

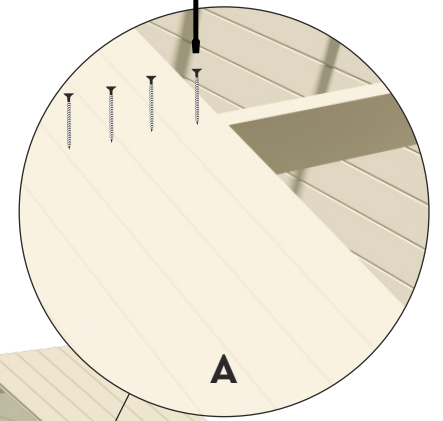
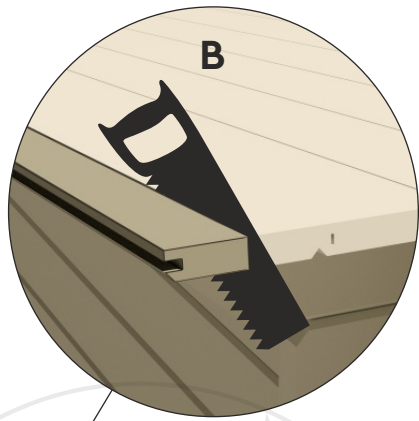


Ø 5 mm



6x140 mm

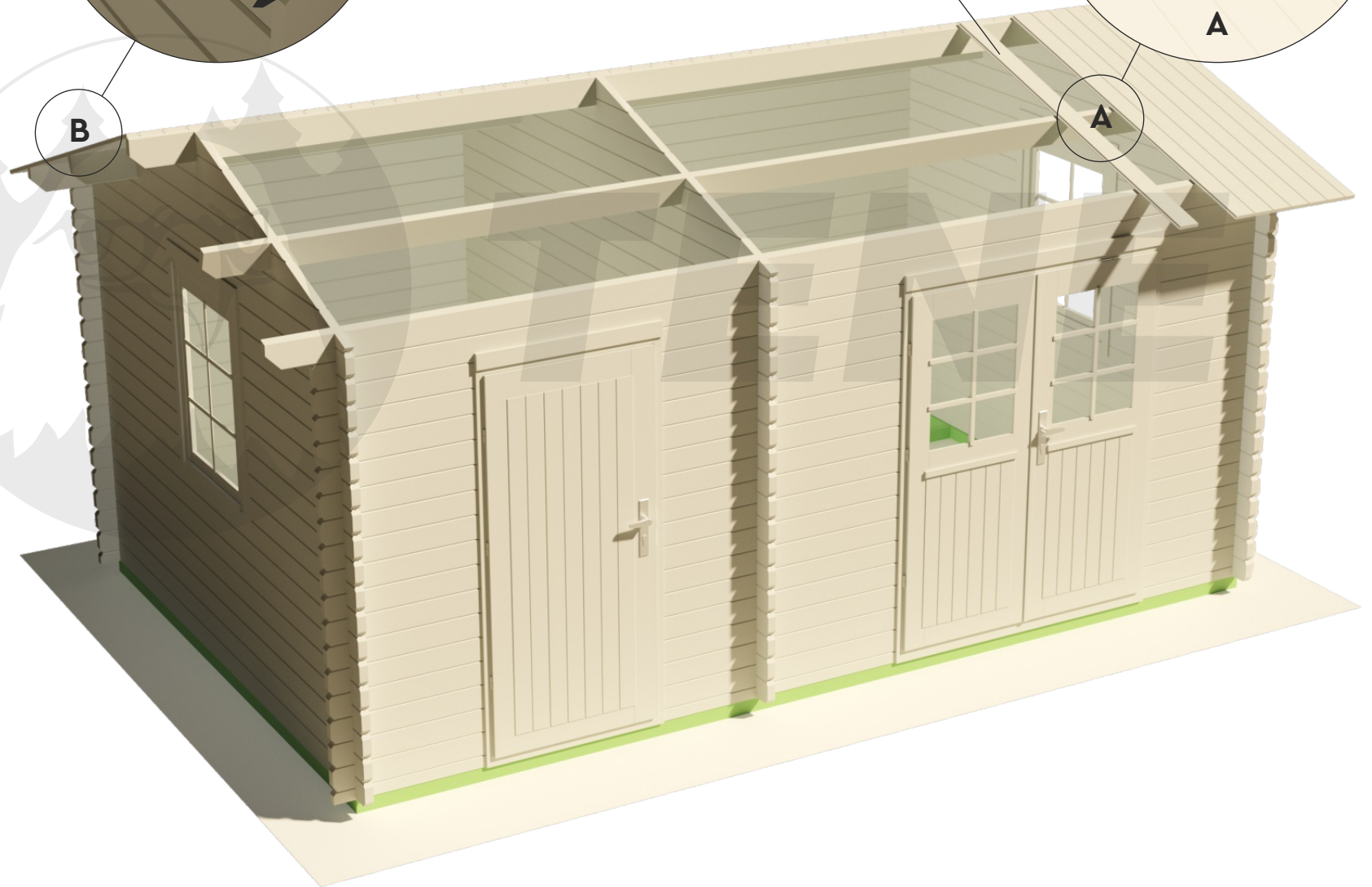
KARMEN 40



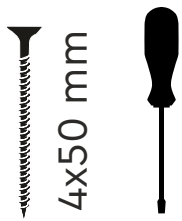
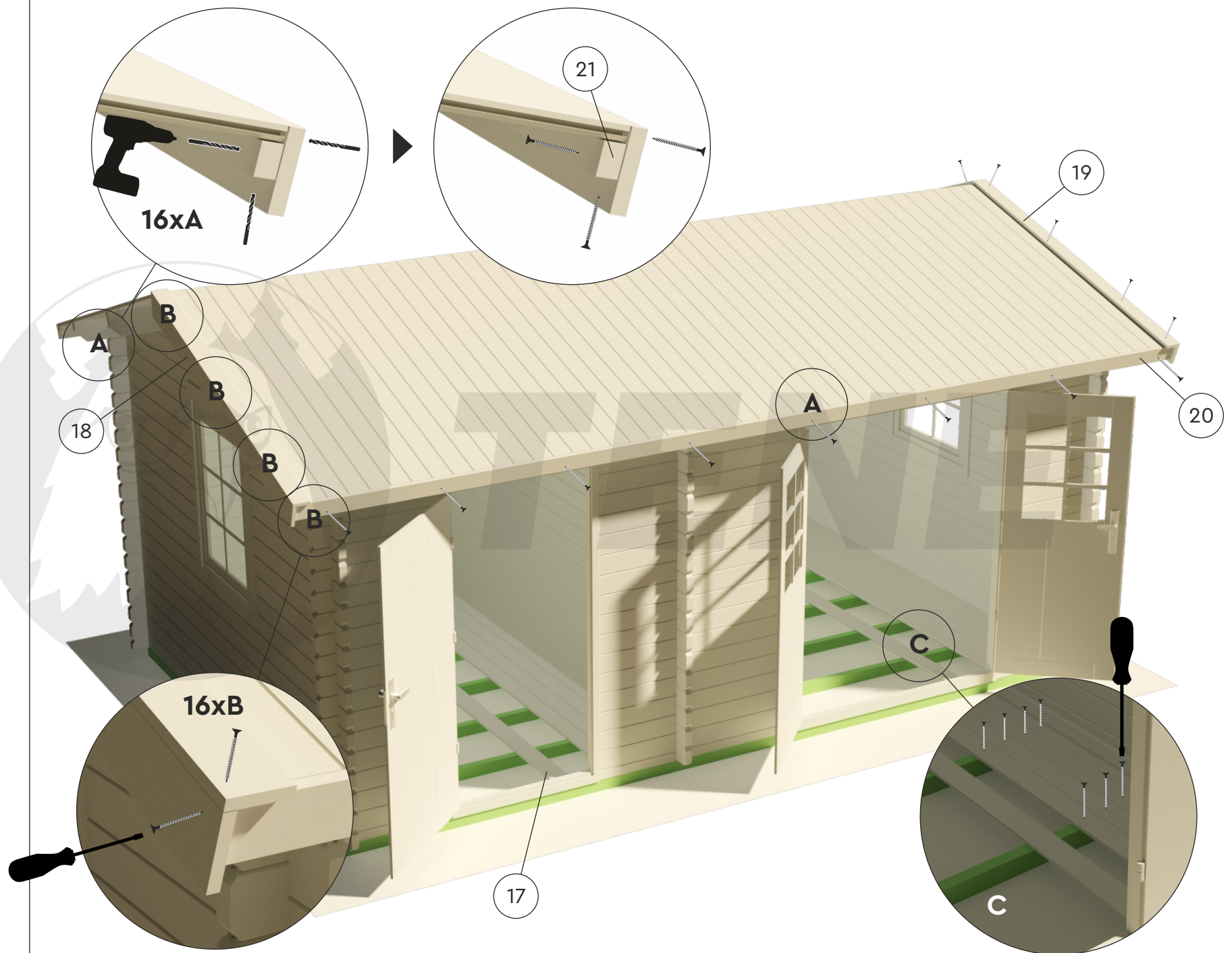
16

B

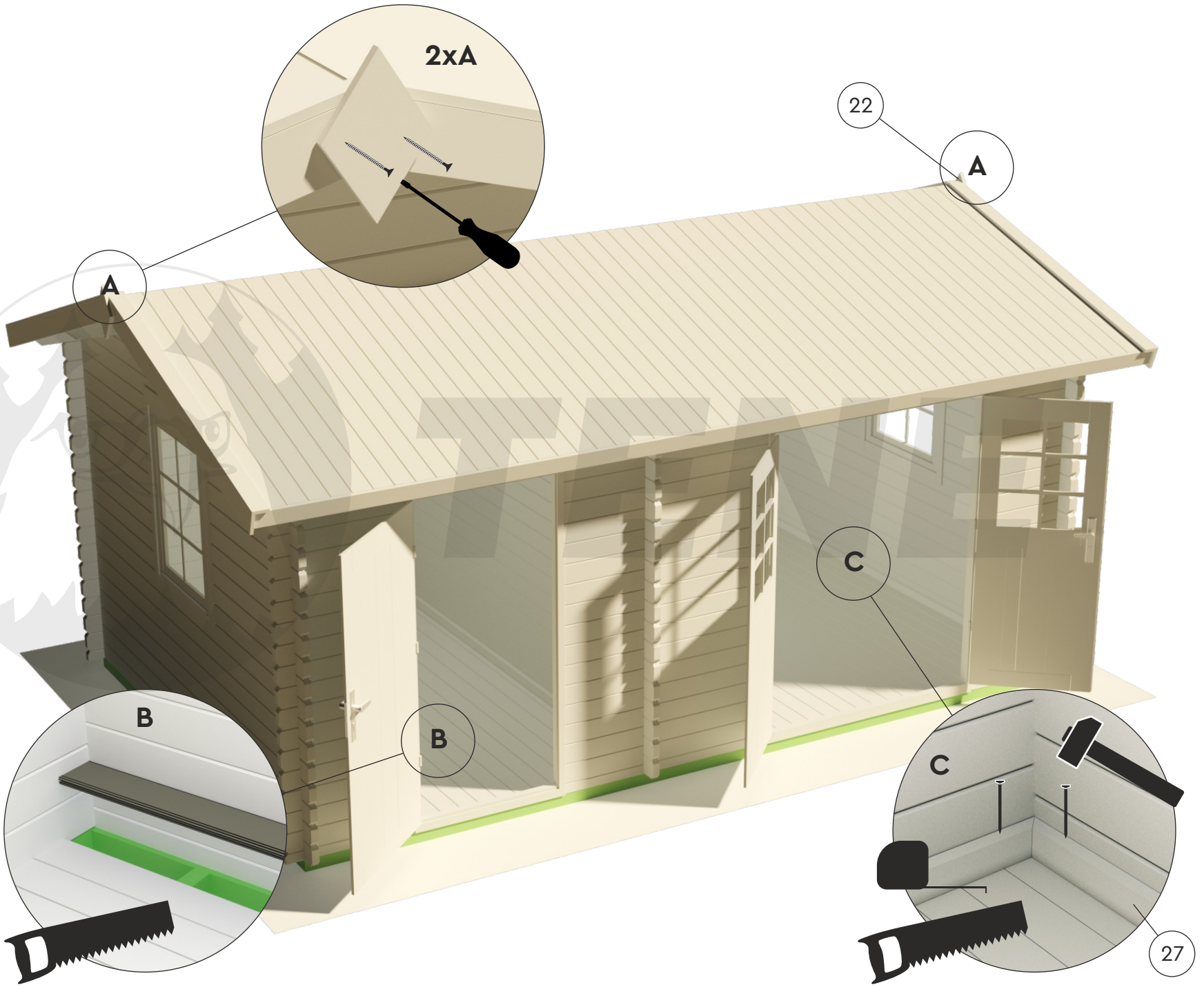
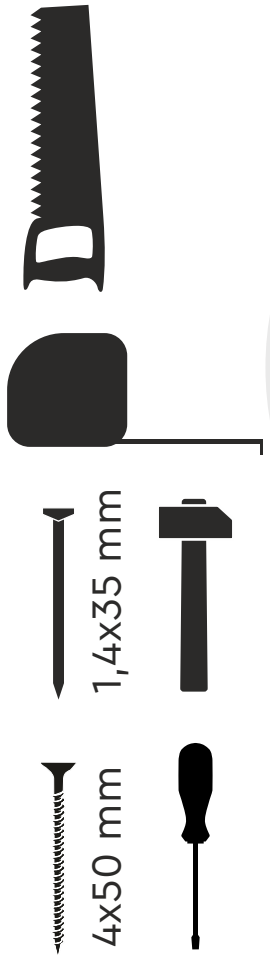
A



KARMEN 40



KARMEN 40



2xA

22

A

A

C

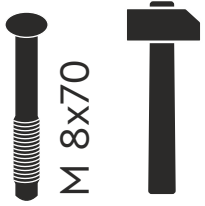
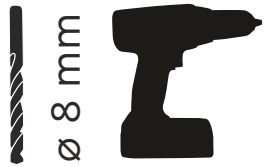
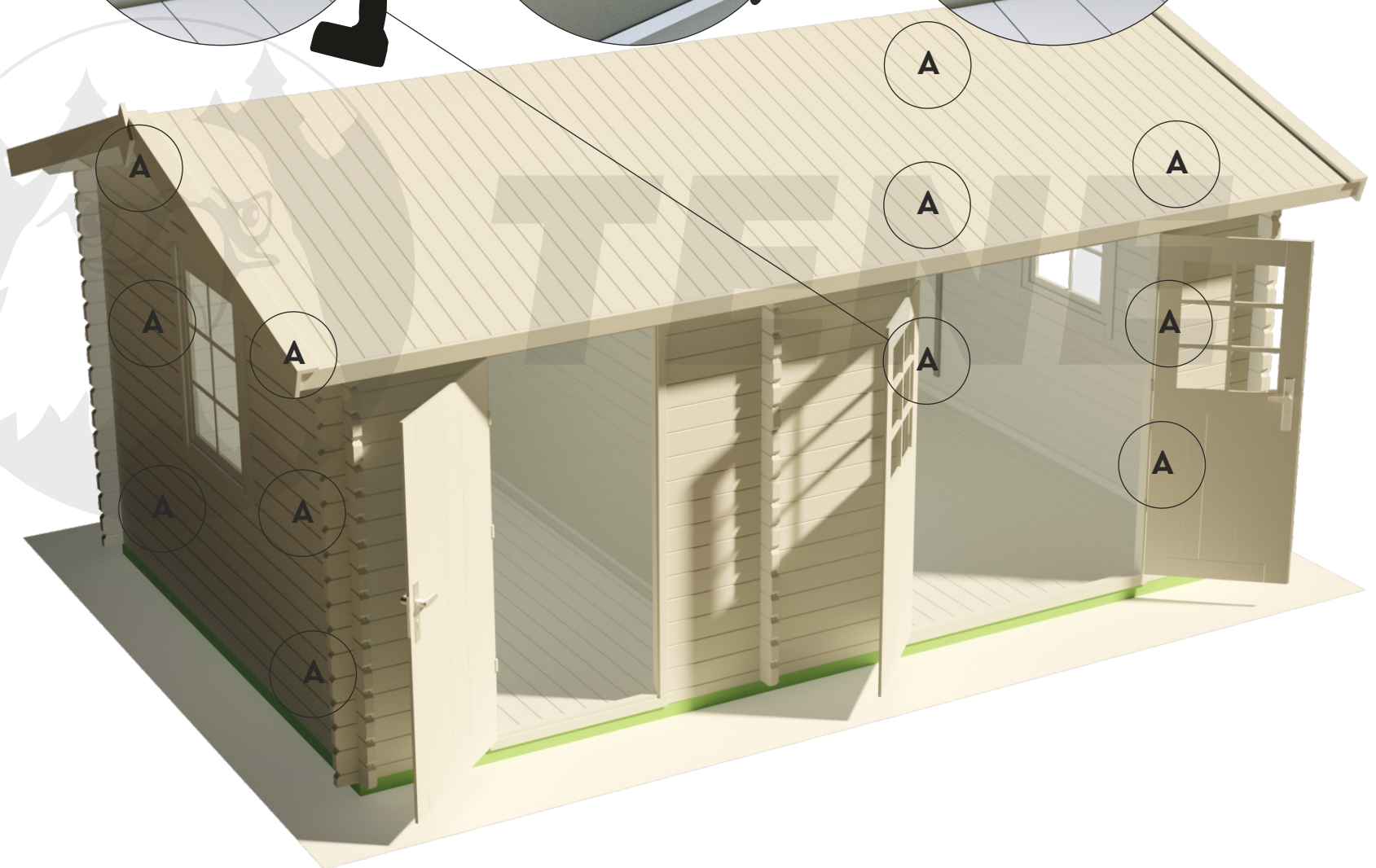
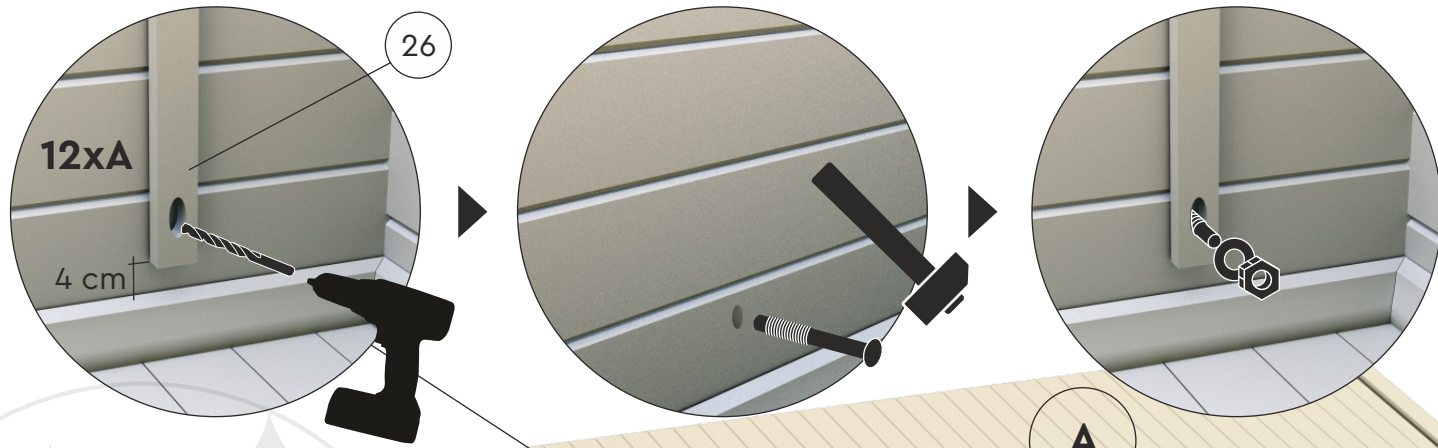
B

B

C

27

KARMEN 40



KARMEN 40

